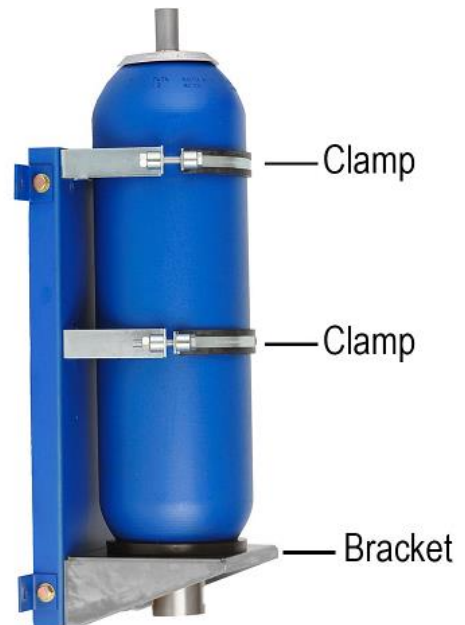


Mounting Brackets for Accumulators, Cylinders and Filter Housings

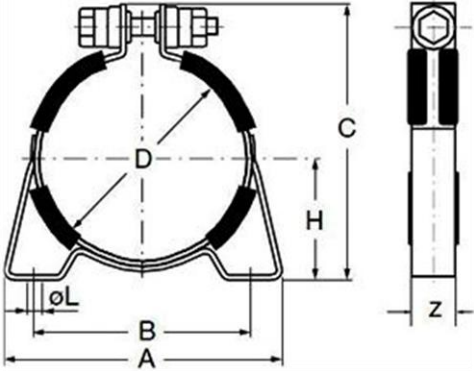
Our accumulator mounting clamps and brackets are designed to provide simple and secure mounting for accumulators, cylinders and filter housings.

Special features:

- Rubber cushioning to reduce vibration and noise.
- Compensation for thermal expansion and contraction.
- Exclusively designed for all types of accumulators, cylinders and filter housings.
- Clear Zinc plated to resist corrosion.
- Special sizes, designs and materials (including stainless steel) available upon request.

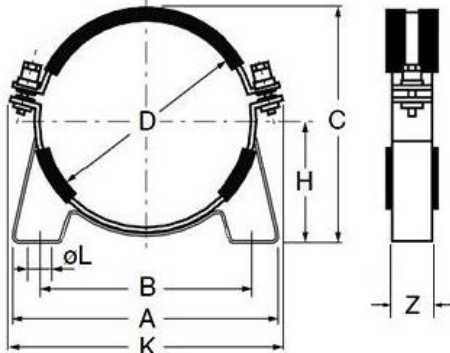


Single Bolt Clamp



Mounting Brackets, Single Bolt Clamp								
Model	A in. (mm)	B in. (mm)	C in. (mm)	D (Dia.) in. (mm)	H in. (mm)	L (Slot) in. (mm)	Width Z in. (mm)	Wt. lbs. (kg)
RMS-45	5.26 (134)	3.94 (100)	6.68 (170)	4.51 (115)	2.87 (73)	.38 x .50 (9.7 x 12.7)	1.25 (32)	1.8 (.82)
RMS-50	6.89 (175)	5.35 (136)	7.12 (181)	5.00 (126)	3.03 (77)	.38 x .50 (9.7 x 12.7)	1.25 (32)	1.8 (.82)
RMS-57	6.63 (168)	5.35 (136)	7.75 (197)	5.75 (146)	3.50 (89)	.38 x .50 (9.7 x 12.7)	1.25 (32)	2.0 (.91)
RMS-67	7.50 (191)	6.02 (153)	9.00 (229)	6.75 (171)	3.94 (100)	.38 x .50 (9.7 x 12.7)	1.25 (32)	2.3 (1.0)
RMS-71	8.18 (208)	6.31 (160)	9.38 (238)	7.12 (189)	4.18 (106)	.38 x .50 (9.7 x 12.7)	1.25 (32)	2.2 (1.0)
RMS-91	10.12 (257)	8.50 (216)	11.38 (289)	9.12 (232)	5.00 (127)	.38 x .50 (9.7 x 12.7)	1.25 (32)	2.8 (1.3)

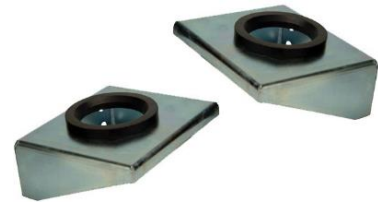
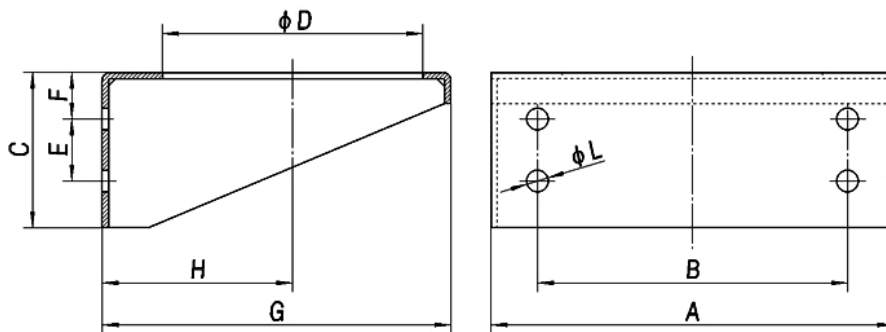
Double Bolt Clamp



Mounting Brackets, Double Bolt Clamp

Model	A in. (mm)	B in. (mm)	C in. (mm)	D (Dia.) in. (mm)	H in. (mm)	K in. (mm)	L in. (mm)	Width in. (mm)	Wt. lbs. (kg)
RMD-91	10.00 (254)	8.50 (216)	9.89 (251)	9.12 (232)	4.95 (126)	12.48 (317)	.59 (15)	1.50 (38)	3.4 (1.5)
RMD-97	10.40 (264)	8.50 (216)	10.50 (267)	9.75 (248)	5.31 (135)	12.99 (330)	.59 (15)	1.50 (38)	3.4 (1.5)
RMD-141	16.81 (260)	14.37 (365)	15.08 (383)	14.13 (359)	7.68 (195)	16.69 (424)	.59 (15)	1.50 (38)	5.5 (2.4)

Base Bracket (with Rubber Ring)



Base Bracket (with Rubber Ring)										
Model	A in. (mm)	B in. (mm)	C in. (mm)	D Dia. in. (mm)	E in. (mm)	F in. (mm)	G in. (mm)	H in. (mm)	L Dia. in. (mm)	Wt. lbs. (kg)
RBB-45	7.03 (179)	5.55 (141)	3.45 (100)	4.53 (115)	1.56 (39.6)	1.10 (28)	6.90 (175)	3.65 (93)	.53 (13.5)	3.5 (1.9)
RBB-66	9.75 (248)	7.15 (182)	3.60 (91)	6.63 (170)	1.76 (45)	1.36 (35)	9.75 (248)	5.15 (131)	.53 (13.5)	5.0 (2.8)
RBB-83	15.35 (390)	10.63 (270)	9.45 (240)	8.31 (211)	7.09 (180)	2.36 (60)	15.35 (390)	7.68 (195)	.87 (22)	16.9 (7.7)

Mounting Brackets Compatibility

For 3000 PSI Bladder Accumulators				
Accumulator Size	Nominal Dia. in. (mm)	Clamp Model	Qty.	Base Bracket Model
1 quart	4.5 (114)	RMS-45	1	None
2-quart	4.5 (114)	RMS-45	1	None
1 gallon	6.7 (170)	RMS-67	1	RBB-45
2-1/2-gallon	9.1 (231)	RMD-91	1	RBB-66
5-gallon	9.1 (231)	RMD-91	2	RBB-66
10-gallon	9.1 (231)	RMD-91	2	RBB-66
15-gallon	9.1 (231)	RMD-91	3	RBB-66
25-gallon	14.25 (362)	RMD-141	3	RBB-83
40-gallon	14.25 (362)	RMD-141	3	RBB-83
For 5000 PSI Bladder Accumulators				
Accumulator Size	Nominal Dia. in. (mm)	Clamp Model	Qty.	Base Bracket Model
1 quart	4.82 (122)	RMS-50	1	None
1 gallon	7.12 (181)	RMS-71	1	RBB-45
2-1/2-gallon	9.75 (248)	RMD-97	1	RBB-66
5-gallon	9.75 (248)	RMD-97	2	RBB-66
10-gallon	9.75 (248)	RMD-97	2	RBB-66
15-gallon	9.75 (248)	RMD-97	3	RBB-66

REASONTEK CORPORATION
565 W. LAMBERT RD. #D
BREA, CA 92821

PHONE: 323-800-6566; FAX: 714-592-7723
EMAIL: SALES@REASONTEK.COM
WWW.REASONTEK.COM