



# LION Gun

The LION Gun is the world's first affordable precision bolting system with built-in data recording. Set your desired torque output on the LION Gun's display and pull the trigger to get precise, repeatable torque without excessive noise or vibration.

## Industrial-Grade Power

---



The LION Gun's industrial-strength gear box is driven by a brushless DC motor connected to a non-impacting gearbox to deliver torque faster, smoother and more reliably than manual clicker wrenches, impact wrenches and other tightening tools.

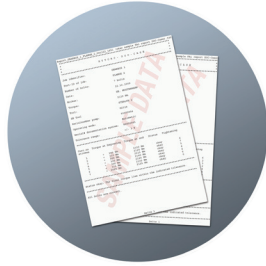
## Unmatched Portability

---



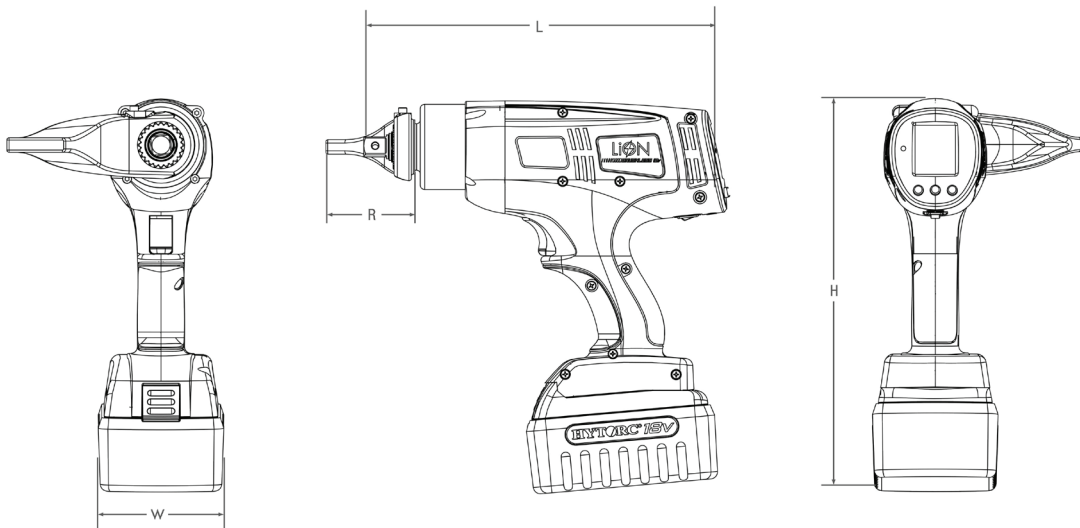
Through the use of aerospace-grade alloys, the LION Gun packs tremendous power without the weight. The 18-Volt lithium-ion battery provides long lasting operation with a quick recharge time to keep the job going.

## Data Recording



Built-in data recording capability allows the user to maintain a log of all completed bolting jobs. For improved quality control and accountability, the information can be saved to a PC or tablet to provide a permanent record of the work performed.

## Technical Data



Model	H (mm)	W (mm)	L (mm)	D (mm)	Drive (mm)	Weight (Kg)	Torque (Nm)	
							MIN.	MAX.
LION-.25	275.08	87.90	258.06	59.69	12.70	3.31	33.90	339.00
LION-.7	275.08	87.90	274.32	71.90	19.05	3.72	203.40	949.07

## Contact Information

333 RT. 17 North  
Mahwah, NJ 07430

1-800-FOR-HYTORC  
www.hytorc.com

