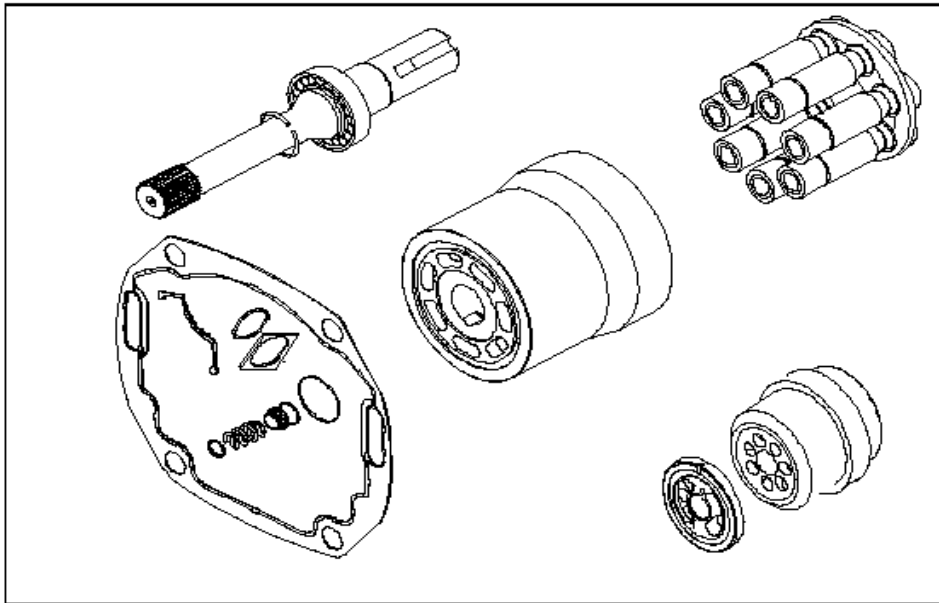


DENISON HYDRAULICS

Piston Pump Parts & Conversion Kits



Publ. LT0-00061-1-C

Revised 6/04



Internet: <http://www.denisonhydraulics.com> E-mail: denison@denisonhydraulics.com



KINGSTONE COMPONENT INC. is the world's premier supplier of motion and control systems and solutions, with sales and manufacturing facilities throughout the world. For product information and details of your nearest KINGSTONE sales office, visit us at <http://www.kstci.com.tw/> or service@kstci.com.tw or +886 2 8732-8566

Catalog KSTCI © Copyright 2007 KINGSTONE COMPONENT INC. All rights reserved.

The product information, specifications, and descriptions contained in this publication have been compiled for the use and convenience of our customers from information furnished by the manufacturer; and we can not, and do not, accept any responsibility for the accuracy or correctness of any description, calculation, specification, or information contained herein. No such description, calculation, specification, or information regarding the products being sold has been made part of the basis of the bargain, nor has same created or amounted to an express warranty that the products would conform thereto. **We are selling the goods and merchandise illustrated and described on this publication on an “as is” basis, and disclaim any implied warranty, including any warranty of merchantability or warranty of fitness for any particular purpose whatsoever, with respect to the goods and merchandise sold.** All manufacturer warranties shall be passed on to our customers, but we shall not be responsible for special, indirect, incidental, or consequential damages resulting from the use of any of the products or information contained or described on this publication. Further, we reserve the right to revise or otherwise make product improvements at any time without notification.

NOTE: All part numbers in **BOLD** print are available on a one week delivery basis but can be ordered for 24 Hr delivery if required. Items ordered for 24 Hr delivery should be placed on an Emergency Order (EO) and unless otherwise specified will be shipped via DHL, UPS, Air Freight etc. (Note: Items requested on 24 Hr delivery **WILL NOT** be shipped by normal transport or sea freight). All other items are available on a standard lead-time.

PV	Page	Gold Cup	Page
Seal Kits	4	Pump Seal Kits	24,25
Shaft & Bearing Assembly	4	Motor Seal Kits	26
Piston, Shoe & Retainer Assembly	5	Shaft & Bearing Assembly	27
Piston & Shoe Sets	5	Piston, Shoe & Retainer Assembly	28
Barrel & Sleeve Assembly	5	Piston & Shoe Sets	28
Rotating Group	6	Barrel & Sleeve Assembly	29
Hold Down Kit	6	Rotating Group (Minor)	30
Rotation Conversions	7	Rotating Group (Major)	31
Rear Drive Adapter Kits	8	Barrel Holddown	32
Couplings	8	Auxiliary Drive Shaft Changes P24/30S	33
Controls	9	Cam & Cradle Stroking Assembly	34
Notes	10	Cam & Cradle Rotation Conversion	34
		Gerotor	35
		Vane Cartridges & Blanks	36
World Cup		Input/Output Controls	37
Seal Kits	11	Rotation Conversions	38
Shaft & Bearing Assembly	11	Rear Drive Adaptor Kits	39-41
Piston, Shoe & Retainer	11	Controls	42-44
Piston Shoe Sets	12	Pipe Kits	44
Rotating Group	12	Notes	45
Holddown Kit	12		
Controls	13		
Notes	14		
		Part Number Listing	
Premier		Part Number Order	46-61
Seal Kits	15		
Rotating Group	15	Notes	62
Holddown Kit	15		
Shaft & Bearing Assembly	16		
Piston, Shoe & Retainer Assembly	17		
Piston Shoe Sets	17		
Barrel & Sleeve Assembly	17		
Rear Drive Adaptor Kits	18		
Controls	19,20		
Pump Conversion Kits	21		
Control Conversion Kits	22		
Notes	23		

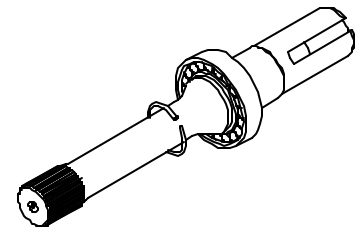
Seal Kits

	PV6/PVT6	PV10/PVT10	PV15/PVT15	PV20/PVT20	PV29/PVT29
S1	S29-15454-ÅK	S29-15455-ÅK	S29-15456-ÅK	S29-15457-ÅK	S29-15458-ÅK

NOTE: Add -0 for Buna/Nitrile, -4 for EPR or -5 for Viton in place of Å

Shaft and Bearing Assemblies - Drive Shafts (Keyed and Splined)

1. Drive Shaft
2. Bearing
3. Retaining Rings for Bearing
4. Key Where Applicable

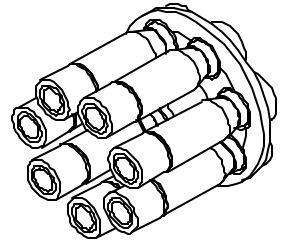


PV6		Standard		Rear Drive	
(1)	PV/PVM SAE-C SPLINED	S29-05241-0K	(1) PVT/PVR SAE-C SPLINED TANDEM	S29-15414-0K	
(2)	PV/PVM SAE-C KEYED	S29-05240-0K	(2) PVT/PVR SAE-C KEYED TANDEM	S29-15419-0K	
PV10		Standard		Rear Drive	
(1)	PV/PVM SAE-C SPLINED	S29-05243-0K	(1) PVT/PVR SAE-C SPLINED TANDEM	S29-15415-0K	
(2)	PV/PVM SAE-C KEYED	S29-05242-0K	(2) PVT/PVR SAE-C KEYED TANDEM	S29-15420-0K	
PV15		Standard		Rear Drive	
(1)	PV/PVM SAE-C SPLINED	S29-05245-0K	(4) PVT SAE-B-B SPLINED TANDEM	S29-15416-0K	
(2)	PV/PVM SAE-C KEYED	S29-05244-0K	(5) PVT SAE-B-B KEYED TANDEM	S29-15421-0K	
(1)	PVT/PVR SAE-C SPLINED T/DEM	S29-15567-0K			
(2)	PVT/PVR SAE-C KEYED TANDEM	S29-15568-0K			
PV20		Standard		Rear Drive	
(1)	PV/PVM SAE-C SPLINED	S29-05247-0K	(1) PVT/PVR SAE-C SPLINED TANDEM	S29-15417-0K	
(2)	PV/PVM SAE-C KEYED	S29-05246-0K	(2) PVT/PVR SAE-C KEYED TANDEM	S29-15422-0K	
PV29		Standard		Rear Drive	
(1)	PV/PVM SAE-C SPLINED	S29-05249-0K	(1) PVT/PVR SAE-C SPLINED TANDEM	S29-15418-0K	
(2)	PV/PVM SAE-C KEYED	S29-05248-0K	(2) PVT/PVR SAE-C KEYED TANDEM	S29-15423-0K	

Note – Shaft Code (in brackets)

Piston & Shoes

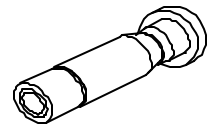
1. Pistons, Shoes & Retainer



PV6/PVT6	S29-17614-0	PV10/PVT10	S29-17615-0	PV15/PVT15	S29-17616-0
PV20/PVT20	S29-17617-0	PV29/PVT29	S29-17618-0		

Piston & Shoe Sets (no retainer)

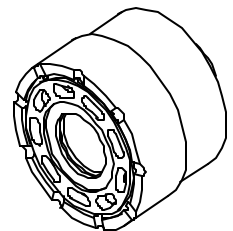
9 Piston & shoes



PV6/PVT6	S29-17498-0K	PV10/PVT10	S29-17499-0K	PV15/PVT15	S29-17500-0K
PV20/PVT20	S29-17501-0K	PV29/PVT29	S29-17502-0K		

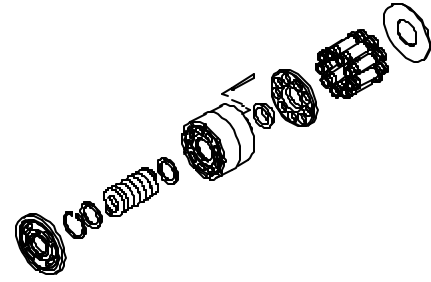
Barrel and Sleeve Assembly

PV6/PVT6	039-54035-0K
PV10/PVT10	039-54036-0K
PV15/PVT15	039-54037-0K
PV20/PVT20	039-54038-0K
PV29/PVT29	039-54039-0K



Rotating Group

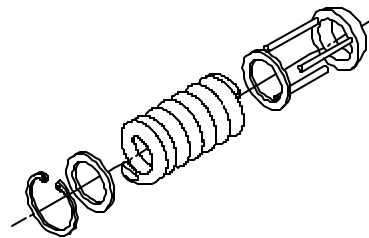
1. Barrel
2. Port Plate
3. Piston & Shoe Assembly
4. Shoe Retainer
5. Wear Plate
6. Holddown Ball
7. Barrel Holddown Spring
8. Barrel Holddown Washer
9. Barrel Holddown Retaining Ring
10. Barrel Holddown Dowel Pin



	CW	CCW
PV6	S29-12833-0	S29-12834-0
PV10	S29-12835-0	S29-12836-0
PV15	S29-12837-0	S29-12838-0
PV20	S29-12839-0	S29-12840-0
PV29	S29-12841-0	S29-12842-0

Holddown Kits

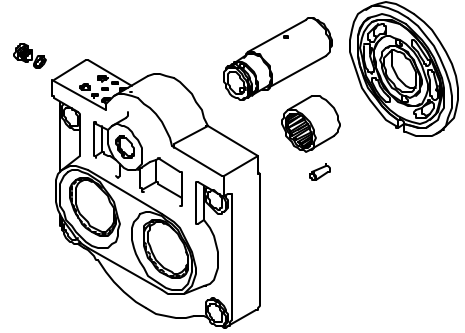
1. Holddown Ball
2. Barrel Holddown Spring
3. Barrel Holddown Washer
4. Barrel Holddown Retaining Ring
5. Barrel Holddown Dowel Pin



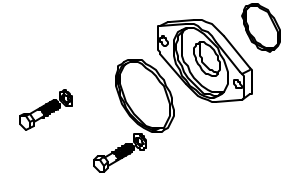
PV6/PVT6	PV10/PVT10	PV15/PVT15	PV20/PVT20	PV29/PVT29
S29-17748-0K	S29-17749-0K	S29-17750-0K	S29-17751-0K	S29-17752-0K

Rotation Conversions

1. Port Block
2. Port Plate



PV6	
UNF CW TO UNF CCW	S29-17672-0K
UNF CCW TO UNF CW	S29-17673-0K
BSPP CW TO UNF CCW	S29-17674-0K
BSPP CCW TO UNF CW	S29-17675-0K
PVT6	
CW TO UNF CCW	S29-17676-0K
CCW TO UNF CW	S29-17677-0K
PV10	
UNFCW TO UNF CCW	S29-17678K
UNF CCW TO UNF CW	S29-17679-0K
BSPP CW TO UNF CCW	S29-17680-0K
BSPP CCW TO UNF CW	S29-17681-0K
PVT10	
CW TO UNF CCW	S29-17682-0K
CCW TO UNF CW	S29-17683-0K
PV15	
UNFCW TO UNF CCW	S29-17684-0K
UNF CCW TO UNF CW	S29-17685-0K
BSPP CW TO UNF CCW	S29-17686-0K
BSPP CCW TO UNF CW	S29-17687-0K
PVT15	
CW TO UNF CCW	S29-17688-0K
CCW TO UNF CW	S29-17689-0K
PV20	
UNFCW TO UNF CCW	S29-17690-0K
UNF CCW TO UNF CW	S29-17691-0K
BSPP CW TO UNF CCW	S29-17692-0K
BSPP CCW TO UNF CW	S29-17693-0K
PVT20	
CW TO UNF CCW	S29-17694-0K
CCW TO UNF CW	S29-17695-0K
PV29	
UNFCW TO UNF CCW	S29-17696-0K
UNF CCW TO UNF CW	S29-17697-0K
BSPP CW TO UNF CCW	S29-17698-0K
BSPP CCW TO UNF CW	S29-17699-0K
PVT29	
CW TO UNF CCW	S29-17700-0K
CCW TO UNF CW	S29-17701-0K



Rear Drive Adapter Kits

Description	PV6/PVT6	PV10/PVT10	PV15/PVT15	PV20/PVT20	PV29/PVT29
PVT rear adapter kit, SAE-A	S29-15433-0K	S29-15430-0K	S29-15430-0K	S29-15430-0K	S29-15430-0K
PVT rear adapter kit, SAE-B	N/A	S29-15431-0K	S29-15431-0K	S29-15431-0K	S29-15431-0K
PVT rear adapter kit, SAE-C	N/A	N/A	N/A	S29-15432-0K	S29-15432-0K

Note: Couplings not included.

Couplings

A	SAE A SPLINE - SAE A REAR PAD - PVT6	039-91985-0
B - SAE A PAD	SAE B SPLINE - SAE A REAR PAD - PVT6	039-91968-0

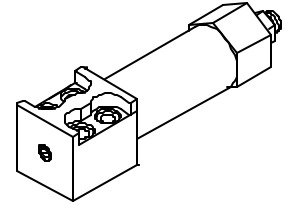
A	SAE A SPLINE - SAE A REAR PAD - PVT10	039-91986-0
B - SAE A PAD	SAE B SPLINE - SAE A REAR PAD - PVT10	039-91981-0
B - SAE B PAD	SAE B SPLINE - SAE B REAR PAD - PVT10	039-91969-0

A	SAE A SPLINE - SAE A REAR PAD - PVT15	039-91986-0
B - SAE A PAD	SAE B SPLINE - SAE A REAR PAD - PVT15	039-91981-0
B - SAE B PAD	SAE B SPLINE - SAE B REAR PAD - PVT15	039-91969-0
Q	SAE B-B SPL. - SAE B/B-B REAR PAD-PVT15	039-91970-0

A	SAE A SPLINE - SAE A REAR PAD - PVT20-29	039-91987-0
B - SAE A PAD	SAE B SPLINE - SAE A REAR PAD - PVT20-29	039-91988-0
B - SAE B PAD	SAE B SPLINE - SAE B REAR PAD - PVT20-29	039-91971-0
Q	SAE B-B SPL. - SAE B/B-B REAR PAD-PVT 20-29	039-91972-0
C	SAE C SPLINE - SAE C REAR PAD - PVT20-29	039-91973-0

A	SAE A SPLINE - SAE A REAR PAD - PVT29	039-91987-0
B - SAE A PAD	SAE B SPLINE - SAE A REAR PAD - PVT29	039-91988-0
B - SAE B PAD	SAE B SPLINE - SAE B REAR PAD - PVT29	039-91971-0
Q	SAE B-B SPL. - SAE B/B-B REAR PAD-PVT29	039-91972-0
C	SAE C SPLINE - SAE C REAR PAD - PVT29	039-91973-0

Controls (Pre-Tested)



	PV6/PVT6	PV10/PVT10	PV15/PVT15	PV20/PVT20	PV29/PVT29
"C" pressure compensator valve	S29-15104-0K	S29-15104-0K	S29-15104-0K	S29-15104-0K	S29-15104-0K
"F" pressure compensator valve, (UNF)	S29-12120-0K	S29-12120-0K	S29-12120-0K	S29-12120-0K	S29-12120-0K
"F" pressure compensator valve, (BSPP)	S29-12121-0K	S29-12121-0K	S29-12121-0K	S29-12121-0K	S29-12121-0K
"L" pressure compensator valve, (UNF)	S29-12122-0K	S29-12122-0K	S29-12122-0K	S29-12122-0K	S29-12122-0K
"L" pressure compensator valve, (BSPP)	S29-12123-0K	S29-12123-0K	S29-12123-0K	S29-12123-0K	S29-12123-0K
"J" torque limiter	S29-15581-0K	S29-15581-0K	S29-16686-0K	S29-15579-0K	S29-15579-0K
"K" torque limiter	S29-15526-0K	S29-15525-0K	S29-16687-0K	S29-15523-0K	S29-16686-0K
"T" power limiter valve, (UNF)	S29-12364-0K	S29-12365-0K	S29-12366-0K	S29-12367-0K	S29-12368-0K
"T" power limiter valve, (BSPP)	S29-12369-0K	S29-12370-0K	S29-12371-0K	S29-12372-0K	S29-12373-0K

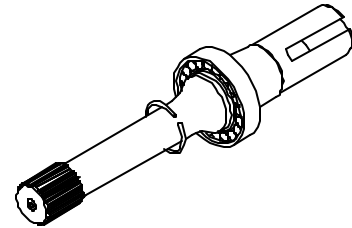
Seal Kits

Pumps		Controls	
S1	S21-11544-ÅK	S21-06000-ÅK	C, T, L, O, P, M
		S21-05999-ÅK	EHS
		S21-05998-ÅK	Hydraulic Stroker
		S21-05997-ÅK	Rotary Servo

NOTE: Add -0 for Buna/Nitrile, -4 for EPR or -5 for Viton in place of Å

Shaft and Bearing Assemblies - Drive Shafts (Keyed and Splined)

1. Drive Shaft
2. Bearing
3. Retaining Rings for Bearing
4. Key Where Applicable

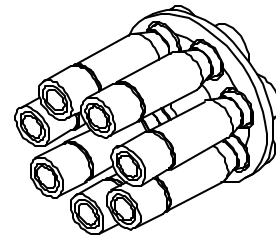


World Cup	Standard	Rear Drive	
(1) SPLINED	S21-11378-0K	(1) SAE-B SPLINED	S21-11416-0K
(2) KEYED (2)	S21-11377-0K	(2) SAE-B KEYED	S21-11415-0K
(3) SAE-B-B SPLINED	S21-11448-0K	(1) SAE-C/D SPLINED	S21-11558-0K
(2) SAE-B-B KEYED	S21-11447-0K	(2) SAE-C/D KEYED	S21-11557-0K
(1) SAE-B SPLINED	S21-11505-0K	(3) SAE-C SPLINED	S21-11815-0K

Note – Shaft Code (in brackets)

Piston & Shoes

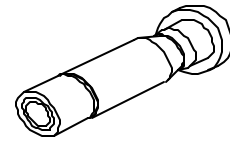
1. Pistons, Shoes & Retainer



P6W	S13-45375-0K	P7W	S13-47873-0K	P8W	S21-11650-0K
-----	--------------	-----	--------------	-----	--------------

Piston & Shoe Sets (no retainer)

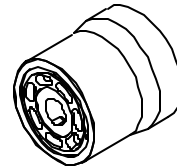
7 Piston & shoes



P6W	S23-17463-0K	P7W	S23-17465-0K	P8W	S23-17466-0K
-----	--------------	-----	--------------	-----	--------------

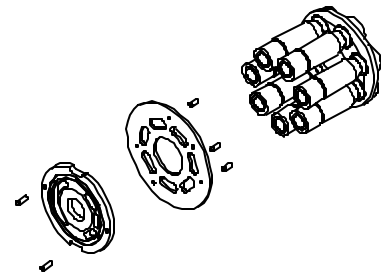
Barrel and Sleeve Assembly

P6W	S21-03652-0K
P7W	S21-03651-0K
P8W	S21-11648-0K



Rotating Group

1. Face plate
2. Face plate and port plate locating pins
3. Piston shoes and retainer assembly
4. Port plate

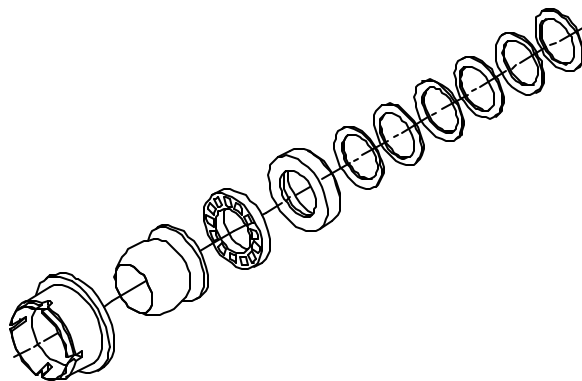


	CW	CCW
P6W	S21-17702-0K	S21-17703-0K
P7W	S21-17704-0K	S21-17705-0K
P8W	S21-17706-0K	S21-17707-0K

Holddown Kits

1. Holddown Springs
2. Spring Retainer
3. Holddown Bearing
4. Holddown Socket
5. Holddown Ball

P6/7/8W
S21-17714-0K



Controls

Control and Code	Pressure Controls	Servo Controls
Compensator C*O	S21-11619-0K	X
Low Flow Compensator **F*O	S21-11619-0K	X
Load Sensing Compensator M*O (200psi Δp)	S21-11640-0K	X
Load Sensing Compensator L*O (50psi Δp)	S21-17395-0K	X
Torque Limiter with Compensator T*O	S21-11651-0K	X
Rotary Servo CW R0	X	S21-11560-0K
Rotary Servo CCW R00	X	S21-11560-0K
Rotary Servo with Stops CW R40	X	S21-11608-0K
Rotary Servo with Stops CCW R40	X	S21-11608-0K
Hydraulic Stroker CW H40	X	S21-12286-0K
Hydraulic Stroker CCW H40	X	S21-12285-0K
Electro-hydraulic Stroker CW E40	X	S21-12307-0K
Electro-hydraulic Stroker CCW E40	X	S21-12308-0K
Rotary Servo with Compensator override CW R4P	S21-11619-0K	S21-11608-0K
Rotary Servo with Compensator override CCW R4P	S21-11619-0K	S21-11608-0K
Hydraulic Stroker with Compensator override CW H4P	S21-11619-0K	S21-12286-0K
Hydraulic Stroker with Compensator override CCW H4P	S21-11619-0K	S21-12285-0K
Electro-hydraulic Stroker with Compensator override CW E4P	S21-11619-0K	S21-12307-0K
Electro-hydraulic Stroker with Compensator override CCW E4P	S21-11619-0K	S21-12308-0K
Rotary Servo with Torque Limiter override CW R4T	S21-11651-0K	S21-11608-0K
Rotary Servo with Torque Limiter override CCW R4T	S21-11651-0K	S21-11608-0K
Hydraulic Stroker with Torque Limiter override CW H4T	S21-11651-0K	S21-12286-0K
Hydraulic Stroker with Torque Limiter override CCW H4T	S21-11651-0K	S21-12285-0K
Electro-hydraulic Stroker with Torque Limiter override CW E4T	S21-11651-0K	S21-12307-0K
Electro-hydraulic Stroker with Torque Limiter override CCW E4T	S21-11651-0K	S21-12308-0K

Seal Kits

Controls C,E,H,J,K,L,M,R,V,W,Y,Z

P05/07	S22-15646-ÅK
P080/110	S22-15647-ÅK
P09	S22-15084-ÅK
P140	S22-15085-ÅK
P12/16	S22-12830-ÅK
P200/260	S22-12831-ÅK

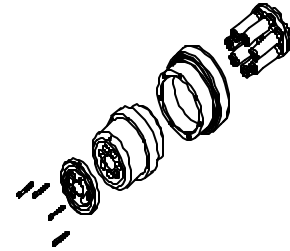
X (PQ Control)

P05/07	S22-17340-ÅK
P080/110	S22-17341-ÅK
P09	S22-16479-ÅK
P140	S22-16480-ÅK
P12/16	S22-16220-ÅK
P200/260	S22-16221-ÅK

NOTE: Add -0 for Buna/Nitrile, -4 for EPR or -5 for Viton in place of Å

Rotating Group

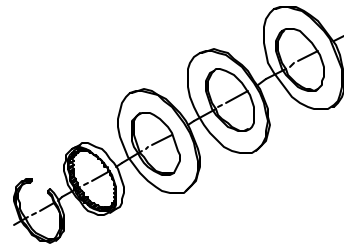
1. Barrel & Port Plate Assembly
2. Creep Plate
3. Piston & Shoes with Retainer Assembly
4. Barrel Bearing



	CW	CCW	WITH X CONTROL CW	WITH X CONTROL CCW
P05/P080	S22-17723-0K	S23-17724-0K		
P07/P140	S22-17725-0K	S23-17726-0K		
P09/P140	S23-17727-0K	S23-17728-0K	S22-17729-0K	S22-17730-0K
P12/200	S22-17731-0K	S22-17732-0K		
P16H/P260H	S22-17733-0K	S22-17734-0K		
P16Q/P260Q	S22-17735-0K	S22-17736-0K	S22-17737-0K	S22-17738-0K

Holddown Kits

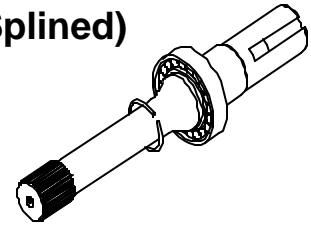
1. Holddown Springs
2. Barrel Stop
3. Retaining Ring



P05/P07/P080/P110	P09/P140	P12/P200	P16/P260
S22-17739-0K	S22-17740-0K	S22-17741-0K	S22-17742-0K

Shaft and Bearing Assemblies - Drive Shafts (Keyed and Splined)

- 1 Drive Shaft
- 2 Bearing
- 3 Retaining Rings for Bearing
- 4 Key Where Applicable

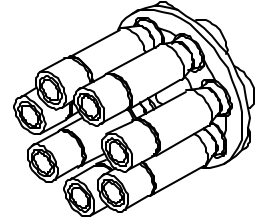


P05/080		Standard		Rear Drive	
(3)	SAE-P05 SPLINED NRD (*)	S22-15338-0K	(3) SAE-P05 SPLINED RD (*)	S22-15340-0K	
(2)	SAE-P05 KEYED NRD (*)	S22-15337-0K	(2) SAE-P05 KEYED RD (*)	S22-15339-0K	
(3)	ISO-P080 SPLINED NRD (*)	S22-15599-0K	(3) ISO-P080 SPLINED RD (*)	S22-15601-0K	
(2)	ISO-P080 KEYED NRD (*)	S22-15598-0K	(2) ISO-P080 KEYED RD (*)	S22-15600-0K	
(7)	DIN-P080 SPLINED NRD (*)	S22-15602-0K	(7) DIN-P080 SPLINED RD (*)	S22-15603-0K	
(6)	DIN-P080 KEYED NRD (*)	S22-15673-0K	(6) DIN-P080 KEYED RD (*)	S22-15674-0K	
P07/110		Standard		Rear Drive	
	SAE-P07 SPLINED NRD (3) (*)	S22-15338-0K	(3) SAE-P07 SPLINED RD (*)	S22-16025-0K	
	SAE-P07 KEYED NRD (2) (*)	S22-15337-0K	(2) SAE-P07 KEYED RD (*)	S22-16027-0K	
	ISO-P110 SPLINED NRD (3) (*)	S22-15599-0K	(3) ISO-P110 SPLINED RD (*)	S22-16026-0K	
	ISO-P110 KEYED NRD (2) (*)	S22-15598-0K	(2) ISO-P110 KEYED RD (*)	S22-16028-0K	
	DIN-P110 SPLINED NRD (7) (*)	S22-15602-0K	(7) DIN-P110 SPLINED RD (*)	S22-16029-0K	
	DIN-P110 KEYED NRD (6) (*)	S22-15673-0K	(6) DIN-P110 KEYED RD (*)	S22-16030-0K	
P09/140		Standard		Rear Drive	
(3)	SAE-P09 SPLINED NRD (*)	S22-15113-0K	(3) SAE-P09 SPLINED RD (*)	S22-15114-0K	
(2)	SAE-P09 KEYED NRD (*)	S22-15111-0K	(2) SAE-P09 KEYED RD (*)	S22-15112-0K	
(3)	ISO-P140 SPLINED NRD (*)	S22-15117-0K	(3) ISO-P140 SPLINED RD (*)	S22-15118-0K	
(2)	ISO-P140 KEYED NRD (*)	S22-15115-0K	(2) ISO-P140 KEYED RD (*)	S22-15116-0K	
(7)	DIN-P140 SPLINED NRD (*)	S22-15621-0K	(7) DIN-P140 SPLINED RD (*)	S22-15622-0K	
(6)	DIN-P140 KEYED NRD (*)	S22-15685-0K	(6) DIN-P140 KEYED RD (*)	S22-15686-0K	
P12/200		Standard		Rear Drive	
(3)	SAE-P12 SPLINED NRD (**)	S22-16525-0K	(3) SAE-P12 SPLINED RD (**)	S22-16526-0K	
(2)	SAE-P12 KEYED NRD (**)	S22-16523-0K	(2) SAE-P12 KEYED RD (**)	S22-16524-0K	
(3)	ISO-P200 SPLINED NRD (**)	S22-16529-0K	(3) ISO-P200 SPLINED RD (**)	S22-16530-0K	
(2)	ISO-P200 KEYED NRD (**)	S22-16527-0K	(2) ISO-P200 KEYED RD (**)	S22-16528-0K	
(7)	DIN-P200 (50mm) SPL NRD (**)	S22-16533-0K	(7) DIN-P200 (50mm) SPLI RD (**)	S22-16534-0K	
(6)	DIN-P200 (50mm) KEY NRD (**)	S22-16531-0K	(6) DIN-P200 (50mm) KEY RD (**)	S22-16532-0K	
(9)	DIN-P200 (60mm) SPL NRD (**)	S22-16550-0K	(9) DIN-P200 (60mm) SPL RD (**)	S22-16551-0K	
(8)	DIN-P200 (60mm) KEY NRD (**)	S22-16548-0K	(8) DIN-P200 (60mm) KEY RD (**)	S22-16549-0K	
P16/260		Standard		Rear Drive	
(3)	SAE-P16 SPLINED NRD (**)	S22-12747-0K	(3) SAE-P16 SPL (LOW TORQUE) (**)	S22-12861-0K	
(2)	SAE-P16 KEYED NRD (**)	S22-12746-0K	(2) SAE-P16 KEYED RD (**)	S22-12859-0K	
(5)	SAE-F SPLINED NRD (**)	S22-16407-0K	(5) SAE-D/E SPL RD (HIGH TORQUE) (**)	S22-12862-0K	
(3)	ISO-P260 SPLINED NRD (**)	S22-12825-0K	(3) ISO-P260 SPLINED RD (**)	S22-12866-0K	
(2)	ISO-P260 KEYED NRD (**)	S22-12824-0K	(2) ISO-P260 KEYED RD (**)	S22-12864-0K	
(7)	DIN-P260 SPLINED NRD (**)	S22-15682-0K	(7) DIN-P260 SPLINED RD (**)	S22-15683-0K	
(6)	DIN-P260 KEYED NRD (**)	S22-15680-0K	(6) DIN-P140 KEYED RD (**)	S22-15681-0K	

- RD = Rear Drive,
- NRD = No Rear Drive
- * = Shaft, Bearing, Shaft Seal, & Key (Where Applicable)
- ** = Shaft, Bearing, Shaft Seal, Seal Retainer & Key (Where Applicable)
- Note – Shaft Code (in brackets)

Piston & Shoes

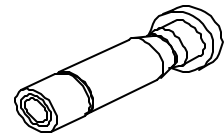
1. Pistons, Shoes & Retainer



P05/080	S22-15342-0K	P07/110	S22-16039-0K	P09/140	S22-15119-0K
P12/200	S22-16536-0K	P16/260Q	S22-15893-0K	P16/260H	S22-15271-0K

Piston & Shoe Sets (no retainer)

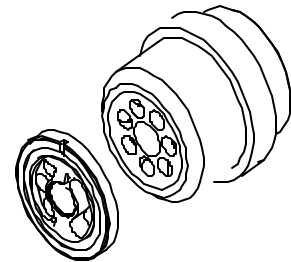
7 Piston & shoes



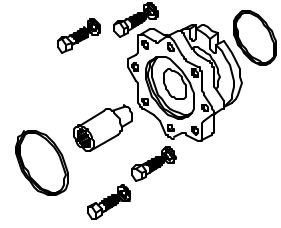
P05/080	S22-17503-0K	P07/110	S22-17504-0K	P09/140	S22-17505-0K
P12/200	S22-17506-0K	P16/260H	S22-17507-0K	P16/260Q	S22-17508-0K

Barrel and Sleeve Assembly

Premier (Includes port plate)	
P05/080 (CW)	S22-16143-0K
P05/080 (CCW)	S22-16144-0K
P07/110 (CW)	S22-16145-0K
P07/110 (CCW)	S22-16146-0K
P09/140 (CW)	S22-16147-0K
P09/140 (CCW)	S22-16148-0K
P09/140 (CW, PQ Control)	S22-16386-0K
P09/140 (CCW, PQ Control)	S22-16387-0K
P12/200 (CW)	S22-16223-0K
P12/200 (CCW)	S22-16535-0K
P12/200 (CW, X**)	S22-16223-0K
P12/200 (CCW, X**)	S22-16535-0K
P16/260 (CW, H*)	S22-16100-0K
P16/260 (CCW, H*)	S22-15672-0K
P16/260 (CW, Q*)	S22-16123-0K
P16/260 (CCW, Q*)	S22-16125-0K
P16/260 (CW, PQ)	S22-15961-0K
P16/260 (CCW, PQ)	S22-15962-0K



Rear Drive Adapter Kits



0	None	
M	Rear Blanking Plate	032-91468-0K
A	SAE "A" WITH SAE "A" SHAFT	S22-15372-0K
G	SAE "A" WITH SAE "B" SHAFT	S22-15809-0K
B	SAE "B" WITH SAE "B" SHAFT	S22-12867-0K
Q	SAE "B" WITH SAE "B-B" SHAFT	S22-12868-0K
C	SAE "C" WITH SAE "C" SHAFT	S22-12869-0K
N	SAE "C" WITH SAE "C-C" SHAFT	S22-12920-0K
D	SAE "D" WITH SAE "C-C" SHAFT	S22-12870-0K
E	SAE "E" WITH SAE "D or E" SHAFT	S22-12871-0K
L	ISO - 180 B4HW WITH DIN 40 - 18 SHAFT	S22-15933-0K
R	ISO - 224 B4HW WITH K50N SHAFT	S22-16543-0K
S	ISO - 180 B4HW WITH DIN 50 - 24 SHAFT	S22-15934-0K
T	ISO - 180 B4HW WITH K40N SHAFT	S22-15740-0K
U	ISO - 180 B4HW WITH K50 SHAFT	S22-15570-0K
V	ISO - 250 B4HW WITH K50N SHAFT	S22-12876-0K
W	ISO - 200 B4HW WITH K50N SHAFT	S22-12875-0K
X	ISO - 160 B4HW WITH K40N SHAFT	S22-12874-0K
Y	ISO - 125 B4HW WITH K32N SHAFT	S22-12873-0K
Z	ISO - 100 BH4W WITH K25N SHAFT	S22-12872-0K

Controls

	Pre Tested Controls					
		P05	P080	P07	P110	P09
1	MAX. VOL. SCREW (FOR C, J, K & L)	S22-15467-0K	S22-15467-0K	S22-15467-0K	S22-15467-0K	S22-12983-0K
2	HANDWHEEL (FOR C, J, K & L)	S22-15448-0K	S22-15448-0K	S22-15448-0K	S22-15448-0K	S22-12915-0K
R**	ROTARY SERVO	S22-16200-0K	S22-16199-0K	S22-16200-0K	S22-16199-0K	S22-16005-0K
H**	HYDRAULIC STROKER	S22-16202-0K	S22-16201-0K	S22-16202-0K	S22-16201-0K	S22-16003-0K
E**	ELECTRIC STROKER	S22-16204-0K	S22-16203-0K	S22-16204-0K	S22-16203-0K	S22-16001-0K
C1*	PRESSURE COMPENSATOR	S22-16440-0K	S22-16444-0K	S22-16440-0K	S22-16444-0K	S22-15311-0K
C2*	PRESSURE COMPENSATOR	S22-16445-0K	S22-16440-0K	S22-16445-0K	S22-16446-0K	
J1*	LOW TORQUE LIMITER	S22-15401-0K	S22-15624-0K	S22-15401-0K	S22-15624-0K	S22-15732-0K
J2*	LOW TORQUE LIMITER	S22-15627-0K	S22-15634-0K	S22-15627-0K	S22-15634-0K	
K1*	HIGH TORQUE LIMITER					S22-15313-0K
L1*	LOAD SENSING (50Δp)	S22-15402-0K	S22-15625-0K	S22-15402-0K	S22-15625-0K	S22-15536-0K
L2*	LOAD SENSING (50Δp)	S22-15628-0K	S22-15637-0K	S22-15628-0K	S22-15637-0K	
R1	MANUAL ROTARY SERVO	S22-16200-0K	S22-16199-0K	S22-16200-0K	S22-16199-0K	
V1	LOW TORQUE LIMITER WITH LOAD SENSING	S22-16186-0K	S22-16188-0K	S22-16186-0K	S22-16188-0K	S22-16193-0K
W1	HIGH TORQUE LIMITER WITH LOAD SENSING	S22-16187-0K	S22-16189-0K	S22-16187-0K	S22-16189-0K	S22-15790-0
K1	LOW TORQUE LIMITER	S22-15629-0K	S22-15631-0K	S22-15629-0K	S22-15631-0K	S22-15313-0K
K2	HIGH TORQUE LIMITER	S22-15635-0K	S22-15636-0K	S22-15635-0K	S22-15636-0K	
*1J	TORQUE LIMITER OVERRIDE (LOW)	S22-16207-0K	S22-16208-0K	S22-16207-0K	S22-16208-0K	S22-16183-0K
*1K	TORQUE LIMITER OVERRIDE (HIGH)	S22-16209-0K	S22-16210-0K	S22-16209-0K	S22-16210-0K	S22-16009-0K
*1P	PRESSURE COMPENSATOR OVERRIDE	S22-16205-0K	S22-16206-0K	S22-16205-0K	S22-16206-0K	S22-16007-0K
V2*	LOW TORQUE LIMITER WITH LOAD SENSE	S22-16195-0K	S22-16196-0K	S22-16195-0K	S22-16196-0K	
W2*	HIGH TORQUE LIMITER WITH LOAD SENSE	S22-16197-0K	S22-16198-0K	S22-16197-0K	S22-16198-0K	
**0	FOR EHS	S22-15325-0K	S22-15613-0K	S22-15325-0K	S22-15613-0K	S22-15528-0K
**0	FOR C,J,K,L,M,V,W	S22-15447-0K	S22-15447-0K	S22-15447-0K	S22-15447-0K	S22-15653-0K

Premier

Pre Tested Controls		P140	P12	P200	P16	P260
1	MAX. VOL. SCREW (FOR C, J, K & L)	S22-12983-0K	S22-12983-0K	S22-12983-0K	S22-12983-0K	S22-12983-0K
2	HANDWHEEL (FOR C, J, K & L)	S22-12915-0K	S22-12915-0K	S22-12915-0K	S22-12915-0K	S22-12915-0K
R**	ROTARY SERVO	S22-16006-0K	S22-16005-0K	S22-16006-0K	S22-16005-0K	S22-16006-0K
H**	HYDRAULIC STROKER	S22-16004-0K	S22-16003-0K	S22-16004-0K	S22-16003-0K	S22-16004-0K
E**	ELECTRIC STROKER	S22-16002-0K	S22-16001-0K	S22-16002-0K	S22-16001-0K	S22-16002-0K
C1*	PRESSURE COMPENSATOR	S22-15312-0K	S22-15311-0K	S22-15312-0K	S22-15311-0K	S22-15312-0K
J1*	LOW TORQUE LIMITER	S22-15733-0K	S22-15732-0K	S22-15733-0K	S22-15313-0K	S22-15314-0K
J2*	LOW TORQUE LIMITER					
L1*	LOAD SENSING	S22-15537-0K	S22-15536-0K	S22-15537-0K	S22-15536-0K	S22-15537-0K
V1	LOW TORQUE LIMITER WITH LOAD SENSING	S22-16194-0K	S22-16193-0K	S22-16194-0K	S22-15790-0K	S22-15802-0K
W1	HIGH TORQUE LIMITER WITH LOAD SENSING	S22-15802-0K	S22-15790-0K	S22-15802-0K	S22-16191-0K	S22-16192-0K
K1	HIGH TORQUE LIMITER	S22-15314-0K	S22-15315-0K	S22-15316-0K	S22-15315-0K	S22-15316-0K
K2	HIGH TORQUE LIMITER					
*1J	TORQUE LIMITER OVERRIDE (LOW)	S22-16184-0K	S22-16183-0K	S22-16184-0K	S22-16009-0K	S22-16010-0K
*1K	TORQUE LIMITER OVERRIDE (HIGH)	S22-16010-0K	S22-16011-0K	S22-16012-0K	S22-16011-0K	S22-16012-0K
*1P	PRESSURE COMPENSATOR OVERRIDE	S22-16008-0K	S22-16007-0K	S22-16008-0K	S22-16007-0K	S22-16008-0K
**0	FOR EHS	S22-15529-0K	S22-15528-0K	S22-15529-0K	S22-15528-0K	S22-15529-0K
**0	FOR C,J,K,L,M,V,W	S22-15653-0K	S22-15653-0K	S22-15653-0K	S22-15653-0K	S22-15653-0K

Pump Control Conversion Kits

Convert from standard COMPENSATOR CONTROLLED pump to:		P05	P080	P07	P110	P09
Primary Control						
Rotary Servo	R**	† S22-17135-0	† S22-17136-0	† S22-17135-0	† S22-17136-0	† S22-17141-0
Hydraulic Stroker	H**	† S22-17133-0	† S22-17134-0	† S22-17133-0	† S22-17134-0	† S22-17139-0
Electro Hydraulic Stroker	E**	† S22-17131-0	† S22-17132-0	† S22-17131-0	† S22-17132-0	† S22-17137-0
+ Secondary Control						
Torque Limit Override (High)	*1K	S22-16209-0	S22-16210-0	S22-16209-0	S22-16210-0	S22-16009-0
Torque Limit Override (Low)	*1J	S22-16207-0	S22-16208-0	S22-16207-0	S22-16208-0	S22-16183-0
Pressure Compensator Override	*1P	S22-16205-0	S22-16206-0	S22-16205-0	S22-16206-0	S22-16007-0
No Override	*10	S22-15325-0	S22-15613-0	S22-15325-0	S22-15613-0	S22-15528-0

Convert from standard compensator to:		P140	P12	P200	P16	P260
Primary Control						
Rotary Servo	R**	† S22-17142-0	† S22-17147-0	† S22-17148-0	† S22-17153-0	† S22-17154-0
Hydraulic Stroker	H**	† S22-17140-0	† S22-17145-0	† S22-17146-0	† S22-17151-0	† S22-17152-0
Electro Hydraulic Stroker	E**	† S22-17138-0	† S22-17143-0	† S22-17144-0	† S22-17149-0	† S22-17150-0
+ Secondary Control						
Torque Limit Override (High)	*1K	S22-16010-0	S22-16011-0	S22-16012-0	S22-16011-0	S22-16012-0
Torque Limit Override (Low)	*1J	S22-16184-0	S22-16183-0	S22-16184-0	S22-16009-0	S22-16010-0
Pressure Compensator Override	*1P	S22-16008-0	S22-16007-0	S22-16008-0	S22-16007-0	S22-16008-0
No Override	*10	S22-15529-0	S22-15528-0	S22-15529-0	S22-15528-0	S22-15529-0

† Contains: Control Piston, Piston Rings and Seals, Primary Control and Upper to Lower Cyl, Servo Tube

	Convert from standard Servo pump to Compensator pump:
P05/080	†† S22-17854-0K
P07/110	†† S22-17854-0K
P09/140	†† S22-17855-0K
P12/200	†† S22-17856-0K
P16/260	†† S22-17857-0K

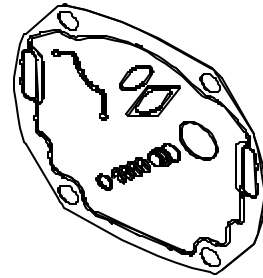
†† Contains: Control Piston, Piston Rings and Seals,
Buck-up Cap with Mounting Screws & LESS PRIMARY CONTROL

Premier

Convert from standard SERVO CONTROLLED pump to:		P05 & P07	P080 & P110	P09, P12 & P16	P140, P200 & P260
Primary Control					
Compensator	C1	S22-16440-0	S22-16444-0	S22-15311-0	S22-15312-0
	C2	S22-16445-0	S22-16446-0		
Load Sensing (50 ΔP)	L1	S22-15402-0	S22-15625-0	S22-15536-0	S22-15537-0
	L2	S22-15628-0	S22-15637-0		
Load Sensing (200 ΔP)	M1	S22-17860-0	S22-17861-0	S22-17866-0	S22-17867-0
	M2				
Torque Limiter (Low)	J1	S22-15401-0	S22-15624-0	S22-15732-0 (P09 & P12)	S22-15733-0 (P140 & P200)
				S22-15313-0 (P16)	S22-15314-0 (P260)
	J2	S22-15627-0	S22-15634-0		
Torque Limiter (High)	K1	S22-15629-0	S22-15631-0	S22-15313-0 (P09)	S22-15314-0 (P140)
				S22-15315-0 (P12 & P16)	S22-15316-0 (P200 & P260)
	K2	S22-15635-0	S22-15636-0		
Load Sensing (50 ΔP) & Torque Limiter (Low)	V1	S22-16186-0	S22-16188-0	S22-16193-0 (P09 & P12)	S22-16194-0 (P140 & P200)
				S22-15790-0 (P16)	S22-15802-0 (P260)
	V2	S22-16195-0	S22-16196-0		
Load Sensing (50 ΔP) & Torque Limiter (High)	W1	S22-16187-0	S22-16189-0	S22-15790-0 (P09)	S22-15802-0 (P140)
				S22-16191-0 (P12 & P16)	S22-16192-0 (P200 & P260)
	W2	S22-16197-0	S22-16198-0		
Load Sensing (200 ΔP) & Torque Limiter (Low)	Y1	S22-17862-0	S22-17863-0	S22-17868-0 (P09 & P12)	S22-17869-0 (P140 & P200)
				S22-17872-0 (P16)	S22-17873-0 (P260)
	Y2				
Load Sensing (200 ΔP) & Torque Limiter (High)	Z1	S22-17864-0	S22-17865-0	S22-17872-0 (P09)	S22-17873-0 (P140)
				S22-17870-0 (P12 & P16)	S22-17871-0 (P200 & P260)
	Z2				
+ Secondary Control					
Compensator Controlled (Less Primary Control)	C**, J**, K**, L**, M**, V**, W**, Y** & Z**	S22-17854-0	S22-17855-0	S22-17856-0	S22-17857-0

Complete Seal Kits Contain All Seals for The Following:

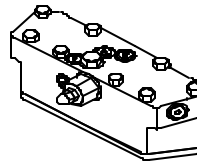
1. Main Pump
2. Valve Block
3. Input/Output Controls
4. Shaft Seal
5. Hot Oil Shuttle (where applicable)
6. Vane Pump (where applicable)



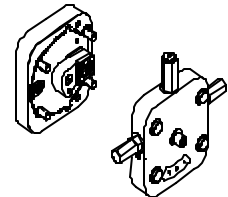
Note: All **BOLD** seal kits are Buna/Nitrile (0)

All Valve Blocks

Seal Kit **S23-17338-ÅK**
 Repair Kit **S23-17563-ÅK** (Not Hi IQ)



All Input and Output Controls S23-17000-ÅK



Seal Kits for P6,7,8 Gold Cup Pumps

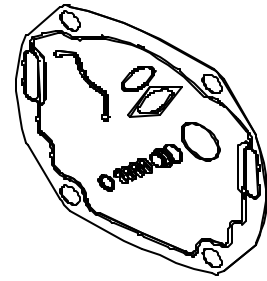
CIPR	MOD.	SERIES	SHAFT TYPE	ROT.	COMPLETE SEAL KIT	SHUTTLE	SHAFT SEAL KIT
6,7,8	C & A	P/D/V	1,2,3,6	R & L	S23-17026-ÅK	N/A	S13-44302-ÅK
			4,5		S23-17027-⊕K		S23-16164-⊕K
			7,8		S23-17028-⊕K		S23-17001-⊕K
		S	1,2,3,6		S23-17029-ÅK	S23-15089-ÅK	S13-44302-ÅK
			4,5		S23-17030-⊕K		S23-16164-⊕K
			7,8		S23-17031-⊕K		S23-17001-⊕K

Seal Kits for P6,7,8 Gold Cup Pumps with TB Auxiliary Pumps

CIPR	MOD.	SERIES	SHAFT TYPE	ROT.	COMPLETE SEAL KIT	SHUTTLE	SHAFT SEAL KIT
6,7,8	C & A	S	1,2,3,6	R & L	S23-16174-ÅK	S23-15089-ÅK	S13-44302-ÅK
			7,8		N/A		S23-17001-⊕K

Note: Add -0 for Buna/Nitrile, -4 for EPR or -5 for Viton in place of Å

Gold Cup



Seal Kits for P11,14 Gold Cup Pumps

CIPR	MOD.	SERIES	SHAFT TYPE	ROT.	COMPLETE SEAL KIT	SHUTTLE	SHAFT SEAL KIT
11,14	A & C	P/V/R	1,2,3,6	R & L	S23-17032-ÅK	N/A	S23-05992-ÅK
	B & C		7,8	R	S23-17033-⊕K		S23-15244-⊕K
	B & C		7,8	L	S23-17034-⊕K		S23-15247-⊕K
	A & C	S/L	1,2,3,6	R & L	S23-17035-⊕K	S23-15089-ÅK	S23-05992-⊕K
	B & C		7,8	R	S23-17036-⊕K		S23-15244-⊕K
	B & C		7,8	L	S23-17037-⊕K		S23-15247-⊕K

Seal Kits for P11,14 Gold Cup Pumps with TB Auxiliary Pumps

CIPR	MOD.	SERIES	SHAFT TYPE	ROT.	COMPLETE SEAL KIT	SHUTTLE	SHAFT SEAL KIT
11,14	B & C	S/L	7,8	R	S23-15702-ÅK	S23-15089-ÅK	S23-15244-ÅK
				L	S23-15703-⊕K		S23-15247-⊕K

Seal Kits for P24,30 Gold Cup Pumps

CIPR	MOD.	SERIES	SHAFT TYPE	ROT.	COMPLETE SEAL KIT	SHUTTLE	SHAFT SEAL KIT	
24,30	E & B	P	2,3	R & L	S23-18006-ÅK	N/A	S23-11516-ÅK	
		R			S23-18016-⊕K			
		X			S23-11514-ÅK			
		P	7,8	R	S23-17038-⊕K			S23-16332-ÅK
		P	7,8	L	S23-17039-⊕K			S23-16333-⊕K
		R	7,8	R	S23-18017-⊕K			S23-16332-ÅK
		R	7,8	L	S23-18018-⊕K	S23-16333-⊕K		
		X	7,8	R	S23-18022-⊕K	S23-16332-ÅK		
		X	7,8	L	S23-18023-⊕K	S23-16333-⊕K		
		S	2,3	R & L	S23-17040-ÅK	S23-15089-ÅK	S23-11516-ÅK	
		L			S23-18019-⊕K			
		S	7,8	R	S23-17041-⊕K		S23-16332-ÅK	
		S	7,8	L	S23-17042-⊕K		S23-16333-⊕K	
		L	7,8	R	S23-18020-⊕K		S23-16332-ÅK	
L	7,8	L	S23-18021-⊕K	S23-16333-⊕K				

Seal Kits for P24,30 Gold Cup Pumps with T6C Auxiliary Pumps

CIPR	MOD.	SERIES	SHAFT TYPE	ROT.	COMPLETE SEAL KIT	SHUTTLE	SHAFT SEAL KIT
24,30	E & B	S	2,3	R & L	S23-11600-⊕K	S23-15089-ÅK	S23-11516-ÅK
			7,8	R	S23-15696-ÅK		S23-16332-ÅK
				L	S23-15697-⊕K		S23-16333-⊕K

Note: Add -0 for Buna/Nitrile, -4 for EPR or -5 for Viton in place of Å

Gold Cup

GOLD CUP MOTOR SEAL KITS

UNIT TYPE	CIPR	SERIES & MOD	SHAFT TYPE	COMPLETE SEAL KIT WITH OR W/OUT SHUTTLE & WITH INPUT/OUTPUT CONTROLS (CONTAINS)	COMPLETE SEAL KIT WITH OR W/OUT SHUTTLE (CONTAINS)	INPUT/ OUTPUT CONTROL (4)	SHAFT SEAL KIT (5)
M & P	6,7	F/G "A" & "C" MOD	1,2,3,6	N/A	S23-00133-ÅK (5)		S13-44302-ÅK (6)
M & P	6,7	F/G "D" MOD	1,2,3,6	N/A	S23-03237-ØK (5)		S23-17013-ØK (6)
M & P	6,7	F/G "D" MOD	4,5	N/A	S23-15720-ØK (5)		S23-17014-ØK (6)
M	6,7	M6H/V "C" MOD M7H/V "A" MOD	1,2,3,6	S23-17743-ÅK (3,4)	S23-00137-ÅK (5)	S23-17000-ÅK	S13-44302-ÅK (6)
M	6,7	M6H/V "C" MOD M7H/V "A" MOD	4,5	S23-17744-ØK (3,4)	S23-16162-ØK (5)		S23-16164-ØK (6)
M	6,7	M6H/V "C" MOD M7H/V "A" MOD	7,8	S23-17745-ØK (3,4)	S23-17753-ØK (5)		S23-16164-ØK (6)
M & P	11,14	F/G "A" MOD	1,2,3,6	N/A	S23-00143-ÅK (5)		S23-05992-ÅK (6)
M	11,14	H/V "A" MOD	1,2,3,6	S23-17746-ÅK (3,4)	S23-00141-ÅK (5)	S23-17000-ÅK	S23-05992-ÅK (6)
M	24	F/G "D" MOD	2,3	N/A	S23-15128-ÅK (5)		S23-11516-ÅK (6)
M	30	F/G "A" MOD	2,3	N/A	S23-15128-ÅK (5)		S23-11516-ÅK (6)
M	24	H/V "D" MOD	2,3	S23-17747-ÅK (3,4)	S23-05994-ÅK (5)	S23-17000-ÅK	S23-11516-ÅK (6)
M	30	H/V "A" MOD	2,3	S23-17747-ÅK (3,4)	S23-05994-ÅK (5)		S23-11516-ÅK (6)

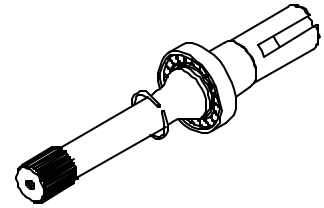
Key: M = Motor, P = Pump

Rotation: R, L & N

NOTE: Add -4 for EPR Rubber or -5 for Viton in place of Å

Shaft and Bearing Assemblies - Drive Shafts (Keyed and Splined)

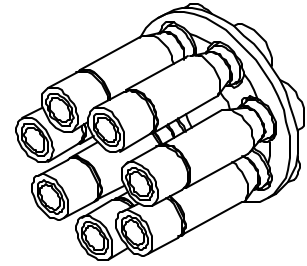
1. Drive Shaft
2. Bearing
3. Retaining Rings for Bearing
4. Key Where Applicable



For Mechanical Shaft Seals		For Lip Seals	
P6,7,8		P6,7,8	
P6/7/8/P/D/S/V SAE -C SPLINED	S13-41805-0K	P6/7/8/P/D/S/V SAE -C SPLINED	S23-16514-0K
P6/7/8/P/D/S/V SAE -C KEYED	S13-41806-0K	P6/7/8/P/D/S/V SAE -C KEYED	S23-16539-0K
P6/7/8/P/D/S/V SAE -D SPLINED	S23-15831-0K		
P6/7/8/P/D/D/V SAE -D KEYED	S23-15832-0K		
M6/7/H/V SAE -C SPLINED	S23-16793-0K	M6/7/F/G SAE -C SPLINED	S23-03260-0K
M6/7/H/V SAE -C KEYED	S23-16794-0K	M6/7/F/G SAE -C KEYED	S23-03261-0K
M6/7/H/V SAE -D SPLINED	S23-15831-0K	M6/7/F/G SAE -D SPLINED	S23-15716-0K
M6/7/H/V SAE -D KEYED	S23-15832-0K	M6/7/F/G SAE -D KEYED	S23-15717-0K
P6/7/8/R SAE -C SPLINED	S23-12044-0K	P6/7/F SAE -C SPLINED	S23-03260-0K
P6/7/8/R SAE -C KEYED	S23-12093-0K	P6/7/F SAE -C KEYED	S23-03261-0K
		P6/7/F SAE -D SPLINED	S23-15716-0K
		P6/7/F SAE -D KEYED	S23-15717-0K
P11,14		P11,14	
P11/14/P/S/V SAE -E SPLINED	S13-43968-0K	P11/14/P/S/V SAE -E SPLD	S23-15212-0K
P11/14/P/S/V SAE -E KEYED	S13-43969-0K	P11/14/P/S/V SAE -E KEYED	S23-15213-0K
P11/14/R/L SAE -E SPLINED	S23-16257-0K	P11/14/R/L SAE -E SPLD	S23-16092-0K
P11/14/R/L SAE -E KEYED	S23-16255-0K	P11/14/R/L SAE -E KEYED	S23-16093-0K
P24,30		P24,30	
P24/30/P/S SAE -F SPLINED	S23-12474-0K	P24/30/P/S SAE -F SPLD	S23-15386-0K
P24/30/P/S SAE -F KEYED	S23-12475-0K	P24/30/P/S SAE -F KEYED	S23-15387-0K
P24/30/R/L SAE -F SPLINED	S23-16364-0K	P24/30/R/L SAE -F SPLD	S23-16475-0K
P24/30/R/L SAE -F KEYED	S23-16362-0K	P24/30/R/L SAE -F KEYED	S23-16473-0K
M24/30/F/G/H/V SAE -F SPLINED	S23-12474-0K		
M24/30/F/G/H/V SAE -F KEYED	S23-12475-0K		

Piston & Shoes

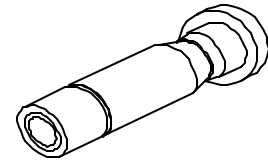
1. Pistons, Shoes & Retainer



M6, M7, P6, P7 & P8					
P6F/P/D/R/S	S13-43655-0K	P6V	S13-45375-0K	M6F/G/H/V	S13-45375-0K
P7F/P/D/R/S	S13-42308-0K	P7V	S13-47873-0K	M7F/G/H/V	S13-47873-0K
P8P/R/S/D/F	S21-11650-0K	P8V	S21-11650-0K	M8F	S21-11650-0K
M11, M14, P11 & P14					
P11F/P/R/S	S13-45544-0K	P11V	S13-45544-0K	M11F/G/H/V	S13-45544-0K
P14F/P/R/S	S13-43970-0K	P14V	S13-43970-0K	M14F/G/H/V	S13-43970-0K
M24, M30, P24 & P30					
P24F/P/R/S	S13-44470-0K	M24H/V/F/G	S13-44470-0K		
P30F/P/R/S	S23-12684-0K	M30H/V/F/G	S23-12684-0K		

Piston & Shoe Sets (no retainer)

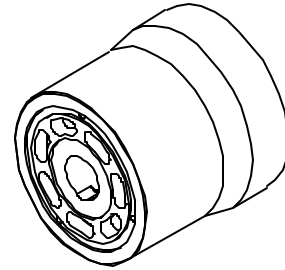
6,7,8,11,14 7 Piston & shoes
 24,30 9 Piston & shoes



P6, P7, P8, M6 & M7		P11, P14, M11 & M14		P24, P30, M24 & M30	
P6, M6	S23-17462-0K	P11, M11	S23-17467-0K	P24, M24	S23-17469-0K
P6V, P6W	S23-17463-0K	P14, M14	S23-17468-0K	P30, M30	S23-17470-0K
P7, M7	S23-17464-0K				
P7V, P7W	S23-17465-0K				
P8P/R/V/D/F	S23-17466-0K				

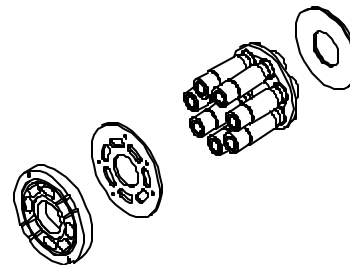
Barrel and Sleeve Assembly

M6, M7, P6, P7 & P8	
P6V/F/P/D/R/S, M6F/G/H/V	S13-43657-0K
P7V/F/P/D/R/S, M7F/G/H/V	S13-47511-0K
P8V/P/R/S	S23-12718-0K
M11, M14, P11 AND P14	
P11V/F/P/R/S, M11F/G/H/V	S13-45381-0K
P14V/F/P/R/S, M14F/G/H/V	S13-43965-0K
P24/P30, M23/30	
P24F/P/R/S, M24H/V/F/G	S23-12091-0K
P30F/P/R/S, M30H/V/F/G	S23-12170-0K



Rotating Group (Minor)

1. Face Plate
2. Pistons, Shoes & Retainer
3. Creep Plate
4. Port Plate

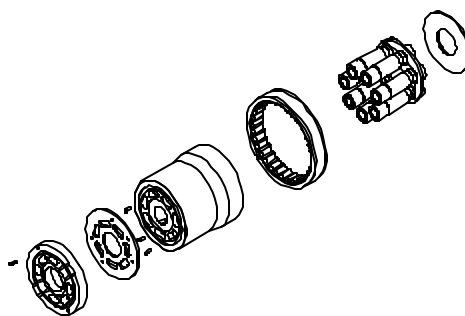


P6,7,8					
P6P/D/R/S	CW	S23-17405-0K	P6V	CW	S23-17411-0K
P6P/D/R/S	CCW	S23-17406-0K	P6V	CCW	S23-17412-0K
P7P/D/R/S	CW	S23-17407-0K	P7V	CW	S23-17413-0K
P7P/D/R/S	CCW	S23-17408-0K	P7V	CCW	S23-17414-0K
P8P/R/S	CW	S23-17409-0K	P8V	CW	S23-17415-0K
P8P/R/S	CCW	S23-17410-0K	P8V	CCW	S23-17416-0K
P6F	CW	S23-17435-0K	M6F/G/H/V		S23-17417-0K
P6F	CCW	S23-17436-0K	M7F/G/H/V		S23-17418-0K
P7F	CW	S23-17437-0K			
P7F	CCW	S23-17438-0K			
P11,14					
P11P/R/S	CW	S23-17419-0K	P11F	CW	S23-17419-0K
P11P/R/S	CCW	S23-17420-0K	P11F	CCW	S23-17420-0K
P14P/R/S	CW	S23-17421-0K	P14F	CW	S23-17421-0K
P14P/R/S	CCW	S23-17422-0K	P14F	CCW	S23-17422-0K
P11V	CW	S23-17423-0K			
P11V	CCW	S23-17424-0K			
P14V	CW	S23-17425-0K			
P14V	CCW	S23-17426-0K			
M11F/G/H/V		S23-17427-0K			
M14F/G/H/V		S23-17428-0K			
P24,30					
P24F/P/R/S	CW	S23-17429-0K			
P24F/P/R/S	CCW	S23-17430-0K			
P30F/P/R/S	CW	S23-17431-0K			
P30F/P/R/S	CCW	S23-17432-0K			
M24H/V/F/G		S23-17433-0K			
M30H/V/F/G		S23-17434-0K			

Note: CW = Clockwise or Right Hand (RH), CCW = Counter Clockwise or Left Hand (LH)

Rotating Group (Major)

1. Barrel Bearing
2. Barrel & Sleeves
3. Face Plate
4. Face Plate & Port Plate Locating Pins
5. Pistons, Shoes & Retainer
6. Creep Plate
7. Port Plate

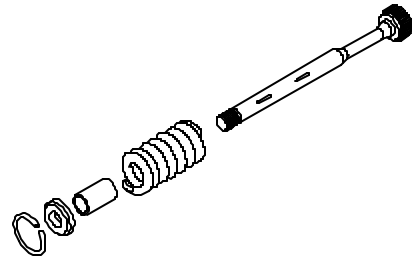


P6,7,8					
P6P/D/R/S	CW	S23-17087-0K	P6V	CW	S23-17093-0K
P6P/D/R/S	CCW	S23-17088-0K	P6V	CCW	S23-17094-0K
P7P/D/R/S	CW	S23-17089-0K	P7V	CW	S23-17095-0K
P7P/D/R/S	CCW	S23-17090-0K	P7V	CCW	S23-17096-0K
P8P/R/S	CW	S23-17091-0K	P8V	CW	S23-17097-0K
P8P/R/S	CCW	S23-17092-0K	P8V	CCW	S23-17098-0K
P6F	CW	S23-17117-0K	M6F/G/H/V		S23-17099-0K
P6F	CCW	S23-17118-0K	M7F/G/H/V		S23-17100-0K
P7F	CW	S23-17119-0K			
P7F	CCW	S23-17120-0K			
P11,14					
P11P/R/S	CW	S23-17101-0K	P11F	CW	S23-17101-0K
P11P/R/S	CCW	S23-17102-0K	P11F	CCW	S23-17102-0K
P14P/R/S	CW	S23-17103-0K	P14F	CW	S23-17103-0K
P14P/R/S	CCW	S23-17104-0K	P14F	CCW	S23-17104-0K
P11V	CW	S23-17105-0K			
P11V	CCW	S23-17106-0K			
P14V	CW	S23-17107-0K			
P14V	CCW	S23-17108-0K			
M11F/G/H/V		S23-17109-0K			
M14F/G/H/V		S23-17110-0K			
P24,30					
P24F/P/R/S	CW	S23-17111-0K			
P24F/P/R/S	CCW	S23-17112-0K			
P30F/P/R/S	CW	S23-17113-0K			
P30F/P/R/S	CCW	S23-17114-0K			
M24H/V/F/G		S23-17115-0K			
M30H/V/F/G		S23-17116-0K			

Note: CW = Clockwise or Right Hand (RH), CCW = Counter Clockwise or Left Hand (LH)

Barrel Holddown

1. Auxiliary Shaft
2. Barrel Stop (6-14 ONLY)
3. Holddown Spring
4. Spring Retainer (6-14 ONLY)
5. Retaining Ring (6-14 ONLY)



P6,7,8					
Without Rear Drive					
P6/7/8P/D/V	S23-17246-0K	M6H/V M6F/G	S23-17248-0K S23-17249-0K	P6/7F	S23-17249-0K
With Rear Drive					
P6/7/8P/D/S	S23-17247-0K				

P11,14					
Without Rear Drive					
P11/14P/V	S23-17250-0K	M11/14H/V/F/G	S23-17252-0K	P11/14F	S23-17252-0K
With Rear Drive					
P11/14P/S	S23-17251-0K				


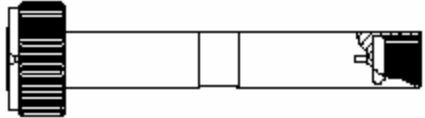
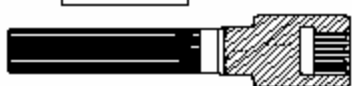


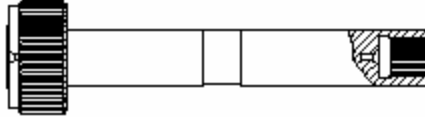


Barrel Holddown

1. Auxiliary Shaft
2. Holddown Spring

P24,30					
Without Rear Drive					
P24P	S23-17253-0K	M24H/V/F/G	S23-17255-0K	P24F	S23-17255-0K
P30P	S23-17254-0K	M30H/V/F/G	S23-17257-0K	P30F	S23-17257-0K
With Rear Drive					
P24P/S	S23-17255-0K				
P30P/S	S23-17256-				

Note: These part numbers contain the new design auxiliary drive shaft. It is not compatible with the old coupling. See PI-1207

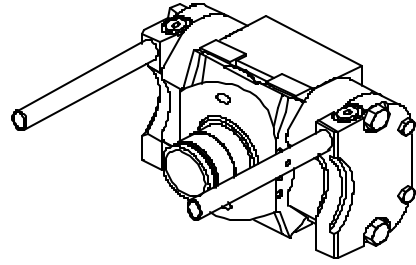
Auxiliary Drive Shaft Changes P24/30S

<p>Auxiliary Drive Shaft</p>  <p>033-57211-0</p>  <p>033-57935-0</p>	<p>Coupling</p>  <p>033-57214-0 SAE B 033-92374-0 SAE B-B 033-57315-0 SAE C 033-91606-0 SAE D</p>  <p>033-57214-0 SAE B 033-92374-0 SAE B-B 033-57315-0 SAE C 033-91606-0 SAE D</p>	<p>P24 OLD</p> <p>Obsolete No Longer Available</p> <p>P30 OLD</p>
 <p>033-93535-0</p>  <p>033-93536-0</p>	 <p>033-93537-0 SAE B 033-93541-0 SAE B-B 033-93538-0 SAE C 033-93540-0 SAE D</p>  <p>033-93537-0 SAE B 033-93541-0 SAE B-B 033-93538-0 SAE C 033-93540-0 SAE D</p>	<p>P24 NEW</p> <p>P30 NEW</p>
<p>P24</p> <p>S23-17444-0K SAE B S23-17448-0K SAE B-B S23-17446-0K SAE C S23-17450-0K SAE D</p>	<p>P30</p> <p>S23-17445-0K SAE B S23-17449-0K SAE B-B S23-17447-0K SAE C S23-17451-0K SAE D</p>	<p>Kits Containing Both Shafts</p>

Cam and Cradle Stroking Assemblies

1. Cam and Cradle Stroking Assembly
2. Override Tubes

Note: Viton seals as standard

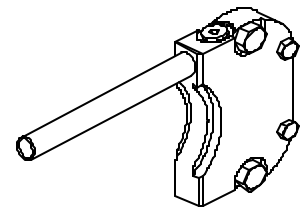


P6,7,8P/S		P6,7,8D/V		P6,7,8R	
CW	S23-17234-5K	CW	S23-17236-5K	CW	S23-17238-5K
CCW	S23-17235-5K	CCW	S23-17237-5K	CCW	S23-17239-5K
M6,7H/V					
BI-DIR	S23-17236-5K				
P11,14P/R/S/V			P24,P30P/R/S		
CW	S23-17240-5K			CW	S23-17242-5K
CCW	S23-17241-5K			CCW	S23-17243-5K
M11,14H/V				M24,M30H/V	
BI-DIR	S23-17240-5K			BI-DIR	S23-17242-5K

Cam & Stroking Rotation Conversions (CW to CCW)

1. Vane Chamber Covers (2)
2. Override Tubes (2)

P6, P7 & P8	CW to CCW	S23-17231-0K
	CCW TO CW	S23-17313-0K
P11 & P14	CW to CCW	S23-17232-0K
	CCW TO CW	S23-17314-0K
P24 & P30	CW to CCW	S23-17233-0K
	CCW to CW	S23-17315-0K

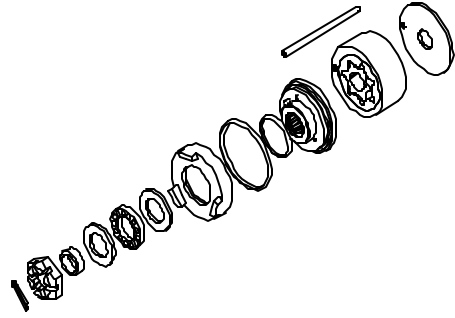


Note: CW = Clockwise or Right Hand (RH), CCW = Counter Clockwise or Left Hand (LH)

Gerotor P6,7,8

Note: Viton seals as standard

1. Eccentric & Gerotor
2. Gerotor Side Plate (CW or CCW)
3. Ring Seal
4. Side Plate
5. Thrust Bearing & Washers
6. Gerotor Key
7. Holddown Locking Pin
8. Gaskets

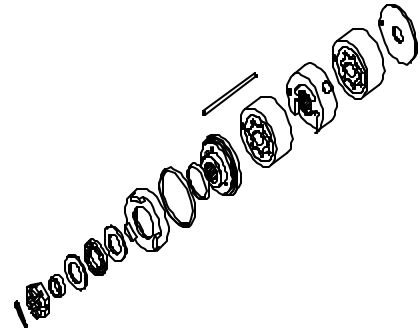


P6,7,8S CW	S23-17045-5K	P6,7,8P/V/D CW	S13-47314-5K
P7,8S CCW	S23-17046-5K	P6,7,8P/V/D CCW	S13-47315-5K

Gerotor P11,14

Note: Viton seals as standard

1. Eccentric & Gerotor
2. Gerotor Side Plate (CW or CCW)
3. Ring Seal
4. Side Plate
5. Thrust Bearing & Washers
6. Gerotor Key
7. Holddown Locking Pin
8. Center Port Plate
9. Gaskets

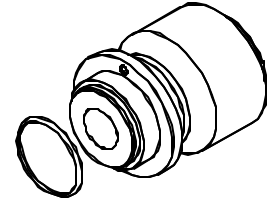


P11,14P/S CW	S23-17043-5K	P11,14V CW	S23-17047-5K
P11,14P/S CCW	S23-17044-5K	P11,14V CCW	S23-17048-5K

Note: CW = Clockwise or Right Hand (RH), CCW = Counter Clockwise or Left Hand (LH)

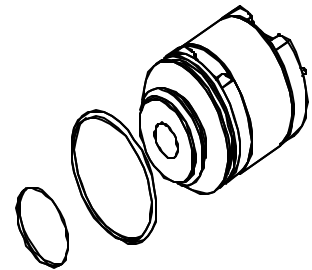
Blank or Vane Cartridge P24,30

Example: P24-2R1E-9A2-B00-#00



X	Vane Blank	S23-15102-0K
----------	-------------------	---------------------

Vane Cartridges



0	CW	2.81in³/rev (46.1 cc/rev)	S24-11918- ⊕
	CCW	2.81in ³ /rev (46.1 cc/rev)	S24-05562- ⊕
1	CW	1.64in³/rev (26.9 cc/rev)	S24-11789- ⊕
	CCW	1.64in ³ /rev (26.9 cc/rev)	S24-51206- ⊕
2	CW	1.05in³/rev (17.2 cc/rev)	S24-11697- ⊕
	CCW	1.05in ³ /rev (17.2 cc/rev)	S24-11778- ⊕
3	CW	3.56in³/rev (58.3 cc/rev)	S24-05342- ⊕
	CCW	3.56in ³ /rev (58.3 cc/rev)	S24-05563- Å
4	CW	4.84in³/rev (79.3 cc/rev)	S24-05509- Å
	CCW	4.84in ³ /rev (79.3 cc/rev)	S24-05510- Å
5	CW	5.42in³/rev (88.8 cc/rev)	S24-63562- Å
	CCW	5.42in ³ /rev (88.8 cc/rev)	S24-44844- Å
6	CW	6.10in³/rev (100.0 cc/rev)	S24-63563- Å
	CCW	6.10in ³ /rev (100.0cc/rev)	S24-63564- Å

Note: Add -0 for Buna/Nitrile, -4 for EPR or -5 for Viton in place of Å

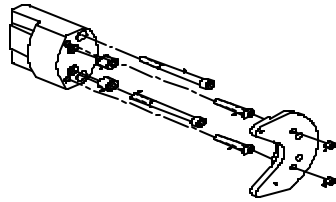
Note: CW = Clockwise or Right Hand (RH), CCW = Counter Clockwise or Left Hand (LH)

Control Side

Indicator/Torque Limiter Side

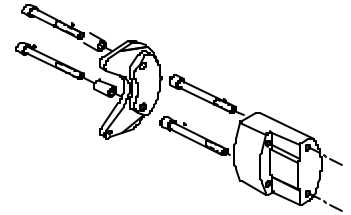
Input

1. Screw (HEX HD)
2. Servo Stem
3. Orifice
4. Plate Servo
5. Screw (SOC HD)



Output

1. Screw
2. Servo Stem
3. Balance Plate
4. Spacer



Input (Standard Orifice 0.062")		Output (Indicator)
P6/7/8P/S	S23-12681-0K	S23-03383-0K
P6/7/8V	S23-12468-0K	S23-03383-0K
M6/7H/V	S23-12468-0K	S23-03383-0K
P11/14P/S	S23-12276-0K	S23-03782-0K
M11/14H/V	S23-12276-0K	S23-03782-0K
P24/30P/S	S23-15110-0K	S23-03950-0K
M24/30H/V	S23-15110-0K	S23-03950-0K

Input

1. Screw (HEX HD)
2. Servo Stem
3. Orifice
4. Plate Servo
5. Screw (SOC HD)

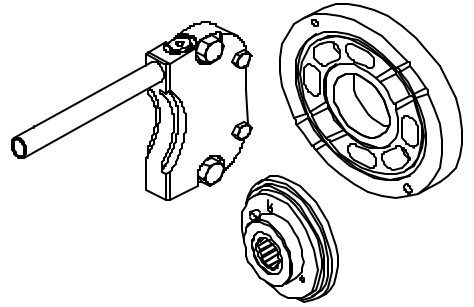
Output

1. Screw
2. Servo Stem
3. Balance Plate
4. Spring Feedback
5. Spacer

HI IQ 7F/G Control Input (Orifice 0.043")		Output
P6/7/8 (7F/G)	S23-03382-0K	S23-03922-0K
P11/14 (7F/G)	S23-03781-0K	S23-03948-0K
P24/30 (7F/G)	S23-03951-0K	S23-03949-0K
HI IQ 7D/E Control Input		Output
P6/7/8 (7D/E)	S23-03383-0K	S23-03922-0K
P11/14 (7D/E)	S23-03782-0K	S23-03948-0K
P24/30 (7D/E)	S23-03950-0K	S23-03949-0K
Orifice 0.043"	033-53824-0K	
Orifice 0.062"	033-70819-0K	

Rotation Conversions

1. Port Plate
2. Vane Chamber Covers (2)
3. Override Tubes (2)
4. Gerotor Side Plate
5. Tag for Orifice Location (P6,7,8,11,14V ONLY)



P6P/S/D		P6V		P6F	
CW TO CCW	S23-16845-0K	CW TO CCW	S23-16847-0K	*CW TO CCW	031-59333-0K
CCW TO CW	S23-16846-0K	CCW TO CW	S23-16848-0K	*CCW TO CW	031-59368-0K
P7P/S/D		P7V		P7F	
CW TO CCW	S23-16849-0K	CW TO CCW	S23-16851-0K	*CW TO CCW	031-54508-0K
CCW TO CW	S23-16850-0K	CCW TO CW	S23-16852-0K	*CCW TO CW	031-54509-0K
* NOTE: CAM HAS TO BE ROTATED 180° TO KEEP "A" PORT AS INLET					
P8P/S/D		P8V			
CW TO CCW	S23-16853-0K	CW TO CCW	S23-16855-0K		
CCW TO CW	S23-16854-0K	CCW TO CW	S23-16856-0K		
P6R		P7R		P8R	
CW TO CCW	S23-16857-0K	CW TO CCW	S23-16859-0K	CW TO CCW	S23-16861-0K
CCW TO CW	S23-16858-0K	CCW TO CW	S23-16860-0K	CCW TO CW	S23-16862-0K
P11P/S		P11V		P11F	
CW TO CCW	S23-16863-0K	CW TO CCW	S23-16865-0K	CW TO CCW	033-71914-0
CCW TO CW	S23-16864-0K	CCW TO CW	S23-16866-0K	CCW TO CW	033-71915-0
P14P/S		P14V		P14F	
CW TO CCW	S23-16867-0K	CW TO CCW	S23-16869-0K	CW TO CCW	033-71600-0K
CCW TO CW	S23-16868-0K	CCW TO CW	S23-16870-0K	CCW TO CW	033-71617-0K
P11R/L		P14R/L			
CW TO CCW	S23-16871-0K	CW TO CCW	S23-16873-0K		
CCW TO CW	S23-16872-0K	CCW TO CW	S23-16874-0K		
P24P/S/R/L		P24F			
CW TO CCW	S23-16875-0K	CW TO CCW	033-71753-0K		
CCW TO CW	S23-16876-0K	CCW TO CW	033-71752-0K		
P30P/S/R/L			P30F		
CW TO CCW	S23-16877-0K	CW TO CCW	033-91237-0K		
CCW TO CW	S23-16878-0K	CCW TO CW	033-91238-0K		
* NOTE: P24/30 PUMPS WITH AN INTERNAL OR EXTERNAL VANE PUMP CARTRIDGE NEED A ROTATION CHANGE					

Note: CW = Clockwise or Right Hand (RH), CCW = Counter Clockwise or Left Hand (LH)

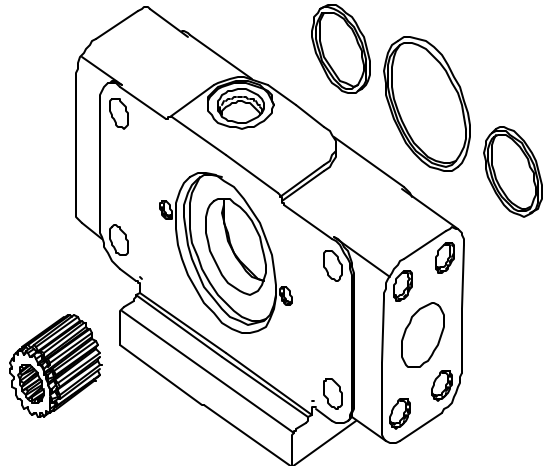
Rear Drive Adapter Kits

Required for Units That Already Have a Rear Mounting

1. Adapter
2. Auxiliary Pump to Adapter Gasket
3. Coupling
4. Adapter to Port Block Gasket
5. Valve Block Spacer (P11,14R/L WITH SAE-E ONLY)

Note: Viton seals as standard

P6,7,8P/D	
SAE-A	S23-16879-5K
SAE-B	S23-16880-5K
P6,7,8S	
SAE-A	S23-16881-5K
SAE-B	S23-16882-5K
P6,7,8R	
SAE-A	S23-15868-5K
SAE-B	S23-16884-5K
SAE-C	S23-16885-5K

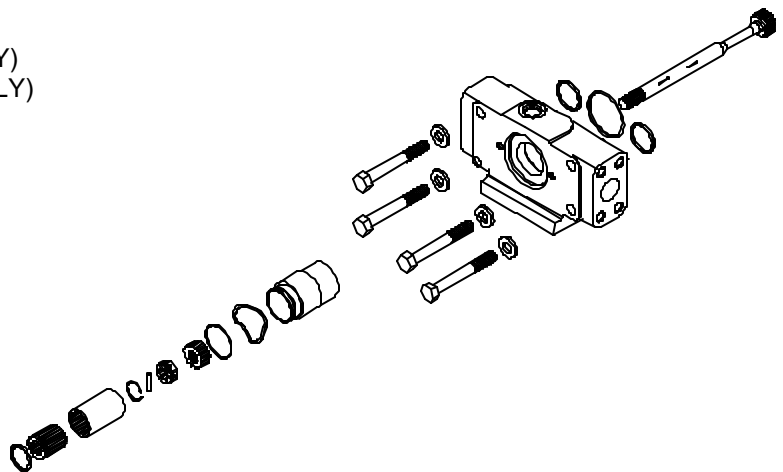


Required For Units That Do Not Have A Rear Mounting

1. Adapter
2. Auxiliary Pump to Adapter Gaskets
3. Coupling
4. Adapter to Coupling Gaskets
5. Auxiliary Shaft
6. Barrel Holddown Thrust Bearing (P6,7,8 ONLY)
7. Barrel Holddown Thrust Washers (P6,7,8 ONLY)
8. Barrel Holddown Nut
9. Replenish Isolation Sleeve

Note: Viton seals as standard

P6,7,8P/D	
SAE-A	S23-12184-5K
SAE-B	S23-12183-5K
P6,7,8S	
SAE-A	S23-12438-5K
SAE-B	S23-12669-5K

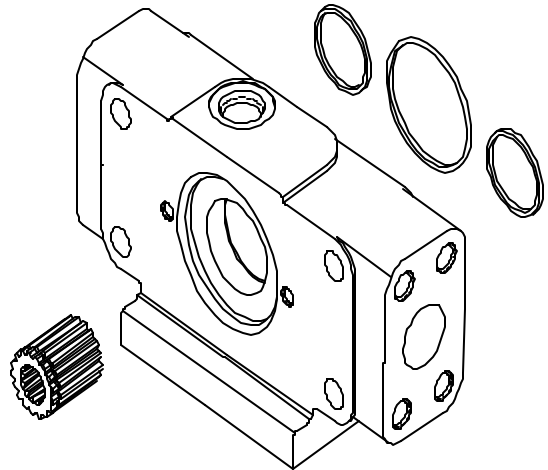


Required for Units That Already Have a Rear Mounting

1. Adapter
2. Auxiliary Pump to Adapter Gasket
3. Coupling
4. Adapter to Port Block Gasket
5. Valve Block Spacer (P11,14R/L WITH SAE-E ONLY)

Note: Viton seals as standard

P11,14P/D	
SAE-A	S23-16879-5K
SAE-B	S23-16880-5K
P11,14S	
SAE-A	S23-16881-5K
SAE-B	S23-16882-5K
P11,14R/L	
NONE	S23-16249-5K
SAE-A	S23-16250-5K
SAE-B	S23-16251-5K
SAE-C	S23-16252-5K
SAE-D	S23-16253-5K
SAE-E	S23-16886-5K

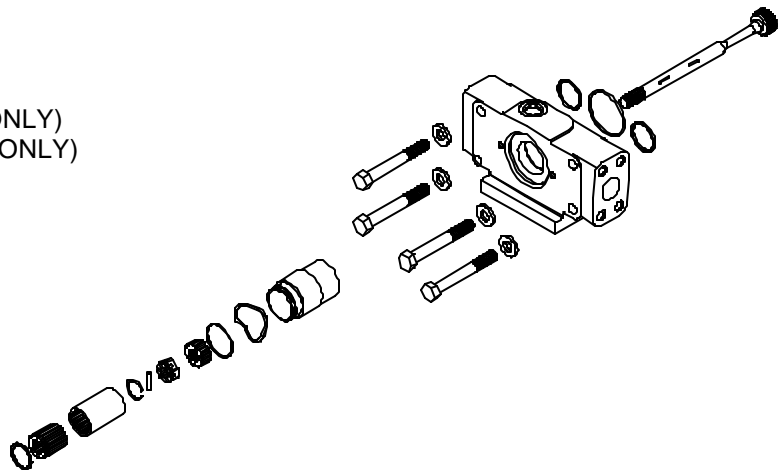


Required For Units That Do Not Have A Rear Mounting

1. Adapter
2. Auxiliary Pump to Adapter Gaskets
3. Coupling
4. Adapter to Coupling Gaskets
5. Auxiliary Shaft
6. Barrel Holddown Thrust Bearing (P6,7,8 ONLY)
7. Barrel Holddown Thrust Washers (P6,7,8 ONLY)
8. Barrel Holddown Nut
9. Replenish Isolation Sleeve

Note: Viton seals as standard

P11,14P	
SAE-A	S23-12182-5K
SAE-B	S23-12181-5K
P11,14S	
SAE-A	S23-12439-5K
SAE-B	S23-12668-5K

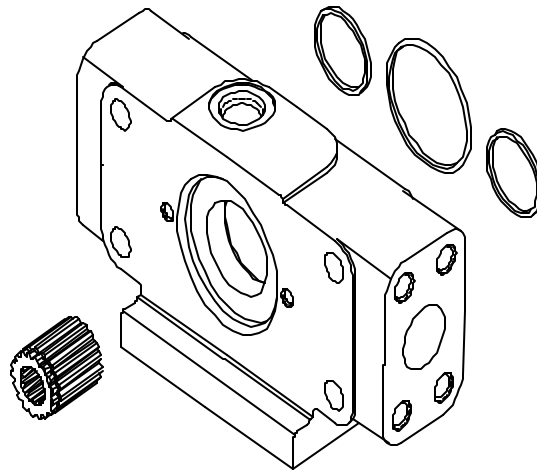


Required for Units That Already Have a Rear Mounting

1. Adapter
2. Auxiliary Pump to Adapter Gasket
3. Coupling
4. Adapter to Port Block Gasket
5. Valve Block Spacer (P11,14R/L WITH SAE-E ONLY)

Note: Viton seals as standard

P24,30P/S	
SAE-B	S23-16887-5K
SAE-C	S23-16888-5K
P24R/L	
NONE	S21-04526-5K
SAE-B	033-92834-5K
SAE-C	S23-16340-5K
SAE-D	S23-16341-5K
SAE-E	S23-16342-5K
SAE-F	S23-16343-5K
P30R/L	
NONE	S21-04526-5K
SAE-B	S23-16369-0K
SAE-C	S23-16351-5K
SAE-D	S23-16352-5K
SAE-E	S23-16353-5K
SAE-F	S23-16354-5K

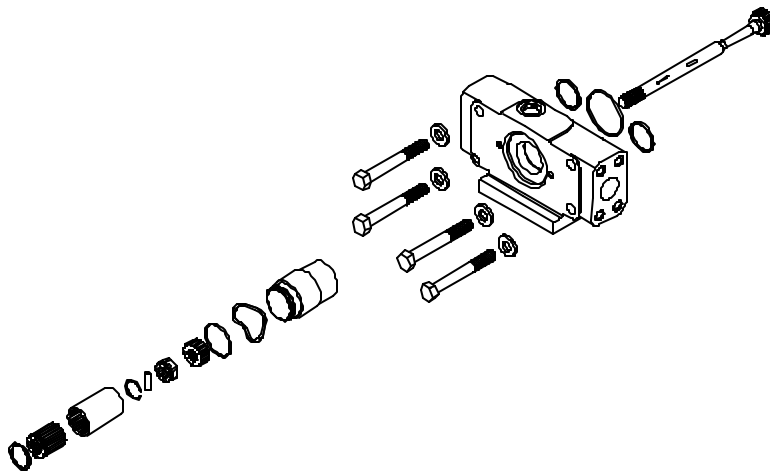


Required For Units That Do Not Have A Rear Mounting

1. Adapter
2. Auxiliary Pump to Adapter Gaskets
3. Coupling
4. Adapter to Coupling Gaskets
5. Auxiliary Shaft
6. Barrel Holddown Nut
7. Replenish Isolation Sleeve

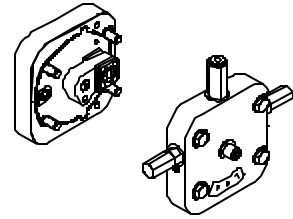
Note: Viton seals as standard

P24,30P/S	
SAE-B	S23-15125-5K
SAE-C	S23-15126-5K



Controls (Input)

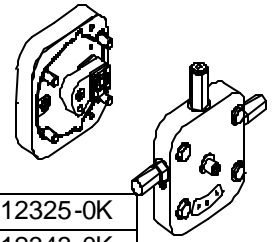
Example: P24-2R1E-#A2-B00-X00



10*	SCREW ADJUSTMENT CCW-A/CW-B	S23-12327-0K
10*	SCREW ADJUSTMENT CCW-B/CW-A	S23-12328-0K
2A*	CYLINDER CONTROL CCW-A/CW-B	S23-12338-0K
2A*	CYLINDER CONTROL CCW-B/CW-A	S23-12340-0K
2A*	CYLINDER CONTROL OFFSET FULL "A" MTG.	S23-12329-0K
2A*	CYLINDER CONTROL OFFSET FULL "B" MTG.	S23-12326-0K
2A*	CYLINDER CONTROL <u>OFFSET MIN</u> "A" MTG.	S23-15207-0K
2A*	CYLINDER CONTROL <u>OFFSET MIN</u> "B" MTG.	S23-12280-0K
2H*	CYLINDER CONTROL 3-POSITION SPRING CENTER	S23-12358-0K
2M*-*00	ELEC. CYL CONTROL SPRING CENTER CCW-A/CW-B	S23-16883-0K
2M*-*00	ELEC. CYL CONTROL SPRING CENTER CCW-B/CW-A	S23-15870-0K
2M*-*01	ELEC. CYL CONTROL SPRING CENTER CCW-B/CW-A	S23-16556-0K
2M*-*02	ELEC. CYL CONTROL SPRING CENTER CCW-A/CW-B	S23-15736-0K
2M*-*02	ELEC. CYL CONTROL SPRING CENTER CCW-B/CW-A	S23-15737-0K
2M*-*03	ELEC. CYL CONTROL SPRING CENTER CCW-A/CW-B	S23-15677-0K
2M*-*03	ELEC. CYL CONTROL SPRING CENTER CCW-B/CW-A	S23-15678-0K
2M*-*05	ELEC. CYL CONTROL SPRING CENTER CCW-A/CW-B	S23-15860-0K
2M*-*05	ELEC. CYL CONTROL SPRING CENTER CCW-B/CW-A	S23-15861-0K
2M*-*00	ELEC. CYL CONTROL SPRING OFFSET TO FULL "A" MTG	S23-16627-0K
2M*-*00	ELEC. CYL CONTROL SPRING OFFSET TO FULL "B" MTG	S23-16628-0K
2M*-*01	ELEC. CYL CONTROL SPRING OFFSET TO FULL "A" MTG	S23-16230-0K
2M*-*01	ELEC. CYL CONTROL SPRING OFFSET TO FULL "B" MTG	S23-16229-0K
2M*-*05	ELEC. CYL CONTROL SPRING OFFSET TO FULL "A" MTG	S23-16134-0K
2M*-*05	ELEC. CYL CONTROL SPRING OFFSET TO FULL "B" MTG	S23-16133-0K
2N*-*00	ELEC. CYL CONTROL SPRING CENTER	S23-15817-0K
2N*-*01	ELEC. CYL CONTROL SPRING CENTER	S23-16377-0K
2N*-*02	ELEC. CYL CONTROL SPRING CENTER	S23-15738-0K
2N*-*03	ELEC. CYL CONTROL SPRING CENTER	S23-15679-0K
2N*-*05	ELEC. CYL CONTROL SPRING CENTER	S23-15821-0K
2N*-*06	ELEC. CYL CONTROL SPRING CENTER	S23-16159-0K
2N*-*07	ELEC. CYL CONTROL SPRING CENTER	S23-16546-0K
40*	ROTARY SERVO SPRING CENTERED LESS VOL STOPS	S23-12344-0K

Gold Cup

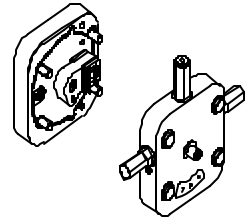
Example: P24-2R1E-#A2-B00-X00



4A*	ROTARY SERVO SPRING CENTERED WITH VOLUME STOPS	S23-12325-0K
4B*	ROTARY SERVO W/BRAKE, NEUTRAL BY-PASS LESS VOLUME STOPS	S23-12343-0K
4C*	ROTARY SERVO W/BRAKE, NEUTRAL BY-PASS WITH VOLUME STOPS	S23-12324-0K
5A*-01	ELEC/HYD STROKER "0" DEADBAND SPRING OFFSET FULL "B" MTG	S23-12418-0K
5A*-01	ELEC/HYD STROKER "0" DEADBANDSPRING OFFSET FULL "A" MTG	S23-12419-0K
5A*-00	ELEC/HYD STROKER W/DEADBAND SPRING CENTER	S23-12413-0K
5A*-01	ELEC/HYD STROKER "0" DEADBAND SPRING CENTER	S23-12415-0K
5C*-00	ELEC/HYD STROKER W/DEADBAND & BRAKE & NEUTRAL BY-PASS	S23-12414-0K
5C*-01	ELEC/HYD STROKER "0" DEADBAND & BRAKE & NEUTRAL BY-PASS	S23-12420-0K
7D*	High IQ with 10 gpm servovalve	Consult factory
7F*	High IQ with 10 gpm servovalve & 4A (rotary servo) control	Consult factory
7J*	High IQ with 4DC01 valve & volume indicator	Consult factory
7K*	High IQ with 4DC01 valve & 4A (rotary servo) control	Consult factory
8A*-00	HYDRAULIC STROKER SPRING CENTER	S23-12268-0K
8A*-01	HYDRAULIC STROKER SPRING CENTER	S23-12760-0K
8A*-02	HYDRAULIC STROKER SPRING CENTER	S23-12630-0K
8A*-03	HYDRAULIC STROKER SPRING CENTER	S23-12529-0K
8A*-04	HYDRAULIC STROKER SPRING CENTER	S23-15065-0K
8A*-00	HYDRAULIC STROKER SPRING CENTER P6,7,8R	S23-12946-0K
8A*-01	HYDRAULIC STROKER SPRING CENTER P6,7,8R	S23-12760-0K
8A*-02	HYDRAULIC STROKER SPRING CENTER P6,7,8R	S23-12630-0K
8A*-03	HYDRAULIC STROKER SPRING CENTER P6,7,8R	S23-15341-0K
8A*-04	HYDRAULIC STROKER SPRING CENTER P6,7,8R	S23-15951-0K
8A*-00	HYDRAULIC STROKER SPRING OFFSET TO FULL "A" MTG.	S23-12271-0K
8A*-00	HYDRAULIC STROKER SPRING OFFSET TO FULL "B" MTG.	S23-12378-0K
8A*-01	HYDRAULIC STROKER SPRING OFFSET TO FULL "A" MTG.	S23-12527-0K
8A*-01	HYDRAULIC STROKER SPRING OFFSET TO FULL "B" MTG.	S23-12526-0K
8A*-00	HYDRAULIC STROKER SPRING OFFSET TO MIN "B" MTG.	S23-15235-0K
8C*-00	HYD STROKER BRAKE NEUTRAL BY-PASS WITH VOLUME STOPS	S23-12820-0K
8C*-02	HYD STROKER BRAKE NEUTRAL BY-PASS WITH VOLUME STOPS	S23-16239-0K
8C*-03	HYD STROKER BRAKE NEUTRAL BY-PASS WITH VOLUME STOPS	S23-16378-0K
*00	ELEC/HYD STROKER W/DEADBAND SPRING CENTER	S23-12667-0K
9A*-01	ELEC/HYD STROKER W/DEADBAND SPRING CENTER	S23-12957-0K
9A*-00	ELEC/HYD STROKER W/DEADBAND SPRING CENTER CCW-A/CW-B	S23-12733-0K
9A*-00	ELEC/HYD STROKER W/DEADBAND SPRING CENTER CCW-B/CW-A	S23-12734-0K
9A*-00	ELEC/HYD STROKER W/DEADBAND SPRING CENTER P6,7,8R	S23-12940-0K
9A*-01	ELEC/HYD STROKER W/DEADBAND SPRING CENTER P6,7,8R	S23-16073-0K
9A*-00	ELEC/HYD STROKER SPRING OFFSET TO FULL "A" MTG.	S23-15050-0K
9A*-00	ELEC/HYD STROKER SPRING OFFSET TO FULL "B" MTG.	S23-15051-0K
9C*-00	ELEC/HYD STROKER W/BRAKE NEUTRAL BY-PASS W/VOL STOPS	S23-12925-0K

Note: 5A/C & 9A/C Controls have viton seals as standard

Gold Cup



Note: A Pipe Kit may be required to add one of these controls

Example: P24-2R1E-9A#-B00-X00

*D2	POTENTIOMETER OUTPUT CONTROL	S23-02345-0K
*F2	POTENTIOMETER OUTPUT CONTROL	S23-02345-0K
*E2	RVDT OUTPUT CONTROL	S23-03278-0K
*G2	RVDT OUTPUT CONTROL	S23-03278-0K
**2	VOLUME INDICATOR	S13-42064-0K
**4	DAMPENED TORQUE LIMITER	S23-12299-0K
**4	DAMPENED TORQUE LIMITER CCW-A/CW-B	S23-12298-0K
**4	DAMPENED TORQUE LIMITER CCW-B/CW-A	S23-12300-0K
**6	POTENTIOMETER OUTPUT CONTROL	S23-02345-0K
**8	RVDT OUTPUT CONTROL	S23-03278-0K
Gold Cup Controls (Input Override)		
**5	REVERSE COMPENSATOR M6,7,11,14	S23-00532-0K
**5	REVERSE COMPENSATOR M24,30	S23-12672-0K

Pipe Kits

"A" or "B" Refer to control side mounting					
	P6,7,8	P11,14	P24C&D MOD	P24 "E" MOD	P30 "B" MOD
Automatic Brake Control (5C)					
CW/CCW -"A"	S23-03063-0K	S23-03070-0K			
CW/CCW -"B"	S23-03064-0K	S23-03069-0K			
8C & 9C					
CW/CCW -"A"	S23-15659-0K	S23-15661-0K			
CW/CCW -"B"	S23-15658-0K	S23-15660-0K			
Torque Limiter **4					
CW - "A"	S23-04112-0K	S23-05641-0K	S23-05690-0K	S23-15547-0K	S23-15551-0K
CW "B"	S23-04113-0K	S23-05645-0K	S23-05691-0K	S23-15548-0K	S23-15493-0K
CCW "A"	S23-04102-0K	S23-05643-0K	S23-05688-0K	S23-15545-0K	S23-15549-0K
CCW "B"	S23-04111-0K	S23-05647-0K	S23-05689-0K	S23-15546-0K	S23-15550-0K
Brake Control +Torque Limiter (ABC + **4)					
CW - "B"				S23-16266-0K	
CCW - "B"				S23-16267-0K	
CW "A"		S23-15689-0K			
CW "B"		S23-15690-0K			

Part Number Listing

031-54508-OK	KIT 5 EACH 031-54508-0 PORT PLATE	033-57181-OK	KIT 10 EA 033-57181-0 SPRING
031-54509-OK	KIT 1 EA 031-54509-0 PORT PLATE	033-57182-OK	KIT 5 EA 033-57182-0 SPRING STOP
031-57090-OK	KIT 2 EA 031-57090-0 PLUG	033-57214-OK	KIT 1 EA 033-57214-0 COUPLING
031-57296-OK	KIT 2 EA 031-57296-0 SPRING - HELIC	033-57239-OK	KIT 5 EA 033-57239-0 LOCK RING
031-57372-OK	KIT 1 EA 031-57372-0 PORT PLATE	033-57241-OK	KIT 5 EA 033-57241-0 HLDDWN SCREW
031-57476-OK	KIT 2 EA 031-57476-0 RETAINING RING	033-57472-OK	KIT 1 EA 033-57472-0 SEAL RET
031-57993-OK	KIT 2 EA 031-57993-0 SLIDE LINK, THK	033-57475-OK	KIT 5 EA 033-57475-0 PLUG
031-59333-OK	KIT 5 EA 031-59333-0 PORT PLATE	033-57571-OK	KIT 3 EACH 033-57571-0 FACE PLATE
031-59338-OK	KIT 10 EA 031-59338-0 RING	033-57872-OK	KIT 1 EA 033-57872-0 SEAL RET
031-59366-OK	KIT 5 EA 031-59366-0 SPRING	033-57879-OK	KIT 1 EA 033-57879-0 CRADLE
031-59367-OK	KIT 5 EA 031-59367-0 PISTON SEAL	033-57892-OK	KIT 2 EA 033-57892-0 RET SEAL
031-59368-OK	KIT 1 EA 031-59368-0 PORT PLATE	033-57893-OK	KIT 5 EA 033-57893-0 SLEEVE
032-57292-OK	KIT 15 EA 032-57292-0 SPRING - HELIC	033-57933-OK	KIT 2 EA 033-57933-0 TUBE
032-59347-OK	KIT 10 EA 032-59347-0 SPACER	033-57963-OK	KIT 1 EA 033-57963-0 COUPLING
032-91259-OK	KIT 2 EA 032-91259-0 SLIDE LINK	033-57964-OK	KIT 1 EA 033-57964-0 INSERT
032-91270-OK	KIT 2 EA 032-91270-0 STOP BARREL 16	033-59494-OK	KIT 50 EA 033-59494-0 SPRING
032-91305-OK	KIT 5 EA 032-91305-0 SEAL, PISTON	033-59511-OK	KIT 3 EA 033-59511-0 TUBE CONE
032-91429-OK	KIT 5 EA 032-91429-0 KEY 9MM X 14MM	033-59593-OK	KIT 20 EA 033-59593-0 SHIELD
032-91447-OK	KIT 5 EA 032-91447-0 SPRING,INNER TL	033-59747-OK	KIT 10 EA 033-59747-0 FACE PLATE PINS
032-91468-OK	KIT 1 EA 032-91468-0 ADAPTOR	033-59805-OK	KIT 2 EA 033-59805-0 WASHER
032-91599-OK	KIT 5 EA 032-91599-0 THRUST WASHER	033-59806-OK	KIT 5 EA 033-59806-0 SPACER
032-91756-OK	KIT 2 EA 032-91756-0 THRUST WASHER	033-59983-OK	KIT 5 EA 033-59983-0 SPACER
032-91792-OK	KIT 5 EA 032-91792-0 RETAINING RING	033-59984-OK	KIT 5 EA 033-59984-0 SPACER
032-91793-OK	KIT 2 EA 032-91793-0 RETAINING RING	033-70482-OK	KIT 10 EA 033-70482-0 SPRING
032-91794-OK	KIT 5 EA 032-91794-0 RETAINING RING	033-70484-OK	KIT 5 EA 033-70484-0 RET RING
032-91795-OK	KIT 2 EA 032-91795-0 RETAINING RING	033-70488-OK	KIT 5 EA 033-70488-0 RET RING
032-91796-OK	KIT 2 EA 032-91796-0 RETAINING RING	033-70489-OK	KIT 5 EA 033-70489-0 CLAMP
032-91798-OK	KIT 5 EA 032-91798-0 SPRING	033-70490-OK	KIT 5 EA 033-70490-0 RET RING
032-91827-OK	KIT 10 EA 032-91827-0 WASHER, BELLEV	033-70492-OK	KIT 10 EA 033-70492-0 6.0 SPACER
032-91895-OK	KIT 2 EA 032-91895-0 RET RING	033-70495-OK	KIT 5 EA 033-70495-0 WASHER
032-92388-OK	KIT 2 EA 032-92388-0 RETAINING RING	033-70500-OK	KIT 5 EA 033-70500-0 SEAT
032-92806-OK	KIT 3 EA 032-92806-0 PLUG NON ADJ	033-70501-OK	KIT 25 EA 033-70501-0 SEAL VANE
032-93072-OK	KIT 5 EA 032-93072-0 PLUG ORIFCE #55	033-70502-OK	KIT 5 EA 033-70502-0 RING CHK
033-22141-OK	KIT 10 EA 033-22141-0 SPRING	033-70507-OK	KIT 5 EA 033-70507-0 SEAT
033-25528-OK	KIT 10 EA 033-25528-0 ORIFICE	033-70508-OK	KIT 5 EA 033-70508-0 SEAT
033-49825-OK	KIT 10 EA 033-49825-0 PIN	033-70512-OK	KIT 50 EA 033-70512-0 SPRING
033-53776-OK	KIT 5 EA 033-53776-0 PORT PLATE	033-70515-OK	KIT 30 EA 033-70515-0 SPRING
033-53824-OK	KIT 2 EA 033-53824-0 ORIFICE (.043)	033-70519-OK	KIT 10 EA 033-70519-0 VANE SPACER
033-53874-OK	KIT 5 EA 033-53874-0 SERVO PLATE	033-70524-OK	KIT 5 EA 033-70524-0 TUBE
033-53921-OK	KIT 10 EA 033-53921-0 PIN	033-70531-OK	KIT 5 EA 033-70531-0 PRESS PLATE
033-53922-OK	KIT 5 EA 033-53922-0 NUT	033-70535-OK	KIT 2 EA 033-70535-0 6.0 COVER END
033-53923-OK	KIT 10 EA 033-53923-0 RET RING	033-70545-OK	KIT 5 EA 033-70545-0 GUIDE HSG
033-53951-OK	KIT 1 EA 033-53951-0 CRADLE	033-70802-OK	KIT 5 EA 033-70802-0 SEAL VANE
033-53984-OK	KIT 5 EA 033-53984-0 SHIM	033-70803-OK	KIT 50 EA 033-70803-0 CHK VLV
033-54398-OK	KIT 1 EA 033-54398-0 POPPET	033-70816-OK	KIT 25 EA 033-70816-0 HLDDWN VANE
033-54473-OK	KIT 3 EA 033-54473-0 SPOOL	033-70817-OK	KIT 50 EA 033-70817-0 SNAP RING
033-54826-OK	KIT 5 EA 033-54826-0 RET RING	033-70819-OK	KIT 10 EA 033-70819-0 ORIFICE
033-57139-OK	KIT 2 EA 033-57139-0 HOLDDOWN ADJ	033-70841-OK	KIT 5 EA 033-70841-0 PLUG, 6 CIPR
033-57180-OK	KIT 1 EA 033-57180-0 SPOOL	033-70908-OK	KIT 10 EA 033-70908-0 SCREW

Note: **BOLD = 1 week lead time or 24 Hr Emergency. All other items on standard lead time**

Part Number Listing

033-71086-OK	KIT 25 EA 033-71086-0 SPRING	033-91051-OK	KIT 1 EA 033-91051-0 INSERT
033-71261-OK	KIT 5 EA 033-71261-0 CREEP PLATE	033-91058-OK	KIT 10 EA 033-91058-0 GASKET
033-71312-OK	KIT 5 EA 033-71312-0 STEM	033-91060-OK	KIT 5 EA 033-91060-0 GASKET
033-71348-OK	KIT 10 EA 033-71348-0 KEY	033-91067-OK	KIT 5 EA 033-91067-0 GASKET
033-71490-OK	KIT 10 EA 033-71490-0 SEAL RING	033-91073-OK	KIT 5 EA 033-91073-0 WASHER
033-71492-OK	KIT 5 EA 033-71492-0 SIDE PLATE	033-91076-OK	KIT 5 EA 033-91076-0 GASKET
033-71500-OK	KIT 5 EA 033-71500-0 GEROTOR	033-91079-OK	KIT 5 EA 033-91079-0 GASKET
033-71514-OK	KIT 10 EA 033-71514-0 KEY	033-91082-OK	KIT 5 EA 033-91082-0 GASKET
033-71525-OK	KIT 5 EA 033-71525-0 PORT PLATE	033-91085-OK	KIT 5 EA 033-91085-0 GASKET
033-71526-OK	KIT 5 EA 033-71526-0 PORT PLATE	033-91106-OK	KIT 10 EA 033-91106-0 RET BRG
033-71530-OK	KIT 5 EA 033-71530-0 FACE PLATE	033-91107-OK	KIT 5 EA 033-91107-0 BRL BRG
033-71569-OK	KIT 5 EA 033-71569-0 CREEP PLATE	033-91150-OK	KIT 2 EA 033-91150-0 BRL BRG (BRZ)
033-71575-OK	KIT 5 EA 033-71575-0 FACE PLATE	033-91180-OK	KIT 1 EA 033-91180-0 RING CHECK
033-71600-OK	KIT 1 EA 033-71600-0 PORT PLATE	033-91190-OK	KIT 2 EA 033-91190-0 BRL BRG
033-71608-OK	KIT 5 EA 033-71608-0 BU PLATE	033-91193-OK	KIT 10 EA 033-91193-0 GASKET
033-71609-OK	KIT 5 EA 033-71609-0 TUBE	033-91237-OK	KIT 1 EA 033-91237-0 PORT PLATE
033-71611-OK	KIT 5 EA 033-71611-0 SEAL VANE	033-91238-OK	KIT 1 EA 033-91238-0 PORT PLATE
033-71615-OK	KIT 2 EACH 033-71615-0 CONT CHAMB	033-91249-OK	KIT 20 EA 033-91249-0 PLUG
033-71617-OK	KIT 5 EA 033-71617-0 PORT PLATE	033-91251-OK	KIT 5 EA 033-91251-0 RETAINER
033-71619-OK	KIT 5 EA 033-71619-0 SIDE PLATE	033-91653-OK	KIT 1 EA 033-91653-0 CREEP PLATE
033-71620-OK	KIT 10 EA 033-71620-0 PIN	033-91706-OK	KIT 2 EA 033-91706-0 WASHER-THRUST
033-71641-OK	KIT 20 EACH 033-71641-0 RET RING	033-91712-OK	KIT 1 EA 033-91653-0 CREEP PLATE
033-71726-OK	KIT 2 EA 033-71726-0 SEAL	033-92834-5K	KIT 2 EA 033-91706-0 WASHER-THRUST
033-71727-OK	KIT 1 EA 033-71727-0 VANE SPACER	033-93046-OK	KIT 2 EA 033-93046-0 BRL BRG (STD)
033-71731-OK	KIT 5 EA 033-71731-0 TUBE	033-93765-OK	KIT 1 EA 033-91712-0 CRADLE
033-71748-OK	KIT 5 EA 033-71748-0 FACE PLATE	034-49622-OK	KIT 10 EA 034-49622-0 KEY SQUARE
033-71752-OK	KIT 1 EA 033-71752-0 PORT PLATE	035-11899-OK	KIT 30 EA 035-11899-0 GASKET
033-71753-OK	KIT 1 EA 033-71753-0 PORT PLATE	035-11900-OK	KIT 30 EA 035-11900-0 600 GASKET
033-71757-OK	KIT 2 EA 033-71757-0 CONT CHAMB	035-20101-OK	KIT 100 EA 035-20101-0 KEY
033-71907-OK	KIT 25 EA 033-71907-0 NAME PLATE	035-24906-OK	KIT 10 EA 035-24906-0 GASKET,END CAP
033-71910-OK	KIT 10 EA 033-71910-0 KEY	035-27100-OK	KIT 15 EA 035-27100-0 GASKET
033-71914-OK	KIT 1 EA 033-71914-0 PORT PLATE	035-40751-OK	KIT 10 EA 035-40751-0 GASKET
033-71915-OK	KIT 5 EA 033-71915-0 PORT PLATE	035-48981-OK	KIT 5 EA 035-48981-0 RING
033-71921-OK	KIT 5 EA 033-71921-0 FACE PLATE	035-53452-OK	KIT 10 EA 035-53452-0 WASHER
033-72100-OK	KIT 1 EA 033-72100-0 END COVER	035-53558-OK	KIT 5 EA 035-53558-0 POWER HD. PLUG
033-72101-OK	KIT 10 EA 033-72101-0 SEAL RING	035-71224-OK	KIT 5 EA 035-71224-0 HEX MANUAL VOL
033-72232-OK	KIT 25 EA 033-72232-0 HLDDWN VANE	036-11692-OK	KIT 5 EA 036-11692-0 SEAT
033-72233-OK	KIT 50 EA 033-72233-0 SPRING	036-11694-OK	KIT 5 EA 036-11694-0 PISTON CONTROL
033-72234-OK	KIT 25 EA 033-72234-0 HLDDWN VANE	036-11710-OK	KIT 5 EA 036-11710-0 BLOCK CONTROL
033-72249-OK	KIT 5 EA 033-72249-0 THRST WASH	036-12288-OK	KIT 10 EA 036-12288-0 CONE
033-72258-OK	KIT 5 EA 033-72258-0 SIDE PLATE	036-12289-OK	KIT 10 EA 036-12289-0 SPRING
033-72259-OK	KIT 5 EA 033-72259-0 SIDE PLATE	036-22080-OK	KIT 10 EA 036-22080-0 SPRING 500 PS
033-72266-OK	KIT 2 EA 033-72266-0 CONT CHAMB	036-24504-OK	KIT 20 EA 036-24504-0 KNOB
033-72378-OK	KIT 5 EA 033-72378-0 POPPET	036-27547-OK	KIT 10 EA 036-27547-0 SPRING #4/2.2
033-72379-OK	KIT 5 EA 033-72379-0 POPPET	036-27548-OK	KIT 10 EA 036-27548-0 SPACER
033-72532-OK	KIT 5 EA 033-72532-0 FACE PLATE	036-38443-OK	KIT 5 EA 036-38443-0 SPOOL
033-72693-OK	KIT 10 EA 033-72693-0 SPRING	036-38448-OK	KIT 10 EA 036-38448-0 SPRING 2.2 Bar
033-72811-OK	KIT 5 EA 033-72811-0 PORT PLATE	036-43794-OK	KIT 20 EA 036-43794-0 SPACER
Note: BOLD = 1 week lead time or 24 Hr Emergency. All other items on standard lead time			

Part Number Listing

306-40107-OK	KIT 100 EA 306-40107-0 SCREW, HHC	324-21612-OK	KIT 100 EA 324-21612-0 PIN, DOWEL
306-40110-OK	KIT 5 EA 306-40110-0 SCREW, HHC	324-21624-OK	KIT 100 EA 324-21624-0
306-40112-OK	KIT 100 EA 306-40112-0 SCREW	324-22016-OK	KIT 5 EA 324-22016-0 PIN, DOWEL 5/16
306-40113-OK	KIT 20 EA 306-40113-0 SCREW	324-22412-OK	KIT 100 EA 324-22412-0
306-40123-OK	KIT 100 EA 306-40123-0	324-22416-OK	KIT 10 EA 324-22416-0
306-40140-OK	KIT 50 EA 306-40140-0	324-22428-OK	KIT 50 EA 324-22428-0
306-40143-OK	KIT 100 EA 306-40143-0 SCREW, HHC	324-24832-OK	KIT 10 EA 324-24832-0
306-40144-OK	KIT 100 EACH 306-40144-0	325-04040-OK	KIT 100 EA 325-04040-0 PIN, ROLL
306-40166-OK	KIT 50 EA 306-40166-0 SCREW	325-08120-OK	KIT 250 EA 325-08120-0
306-40172-OK	KIT 5 EA 306-40172-0	325-12150-OK	KIT 5 EA 325-12150-0 PIN, ROLL 3/16
306-40184-OK	KIT 50 EA 306-40184-0	325-16100-OK	KIT 100 EA 325-16100-0 ROLL PIN
306-40221-OK	KIT 4 EA 306-40221-0	325-16280-OK	KIT 100 EA 325-16280-0
306-40224-OK	KIT 10 EA 306-40224-0	325-16320-OK	KIT 50 EA 325-16320-0
306-40230-OK	KIT 4 EA 306-40230-0	325-35004-OK	KIT 100 EA 325-35004-0 PIN, ROLL
307-09104-OK	KIT 100 EA 307-09104-0 SCREW	326-61003-OK	KIT 5 EA 326-61003-0 PIN, TAPER
307-13160-OK	KIT 250 EA 307-13160-0	327-16000-OK	KIT 50 EA 327-16000-0 NUT, ACORN
310-02040-OK	KIT 100 EA 310-02040-0 SCREW, RDHDM	327-25006-OK	KIT 250 EA 327-25006-0
310-02101-OK	KIT 100 EA 310-02101-0 SCREW	333-02000-OK	KIT 100 EA 333-02000-0 NUT, HEX MACH
310-06120-OK	KIT 10 EA 310-06120-0 SCREW, RDHDM	333-06000-OK	KIT 100 EA 333-06000-0 NUT
310-08044-OK	KIT 100 EA 310-08044-0 SCREW	333-09000-OK	KIT 100 EA 333-09000-0 NUT, HEX
310-10060-OK	KIT 100 EA 310-10060-0 SCREW 10-24	333-12000-OK	KIT 100 EA 333-12000-0 NUT
310-10340-OK	KIT 100 EA 310-10340-0 SCREW, RDHDM	333-12011-OK	KIT 50 EA 333-12011-0 NUT, HEX
311-16180-OK	KIT 50 EA 311-16180-0 SCREW	333-16000-OK	KIT 50 EA 333-16000-0 NUT, HEX
311-16332-OK	KIT 5 EA 311-16332-0 SCREW, SOCHD	333-20015-OK	KIT 30 EA 333-20015-0 NUT, HEX
311-45013-OK	KIT 50 EA 311-45013-0 SCREW	335-12216-OK	KIT 5 EA 335-12216-0 HEX NUT
311-45015-OK	KIT 25 EA 311-45015-0 SCREW	335-13100-OK	KIT 250 EA 335-13100-0
311-45017-OK	KIT 25 EA 311-45017-0 SCREW, SOCHD	335-13104-OK	KIT 5 EA 335-13104-0 NUT, HEX JAM
311-45053-OK	KIT 50 EA 311-45053-0 SCREW	335-16001-OK	KIT 50 EA 335-16001-0 NUT, HEX JAM
312-09032-OK	KIT 250 EA 312-09032-0	335-50004-OK	KIT 100 EA 335-50004-0 NUT
312-15060-OK	KIT 100 EA 312-15060-0 SCREW	341-15002-OK	KIT 50 EA 341-15002-0 LOCKNUT
312-35051-OK	KIT 5 EA 312-35051-0	343-00004-OK	KIT 10 EA 343-00004-0 BOLT, U 3/8-16
316-50000-OK	KIT 50 EA 316-50000-0 SCREW FLAT HD	344-02024-OK	KIT 10 EA 344-02024-0 WASHER
317-02120-OK	KIT 100 EA 317-02120-0 SCREW	345-02016-OK	KIT 25 EA 345-02016-0 WASHER
317-06266-OK	KIT 10 EA 317-06266-0 SCREW	345-10020-OK	KIT 250 EA 345-10020-0
317-10320-OK	KIT 10 EA 317-10320-0 SCREW	346-02016-OK	KIT 50 EA 346-02016-0 LOCKWASHER
320-10203-OK	KIT 250 EA 320-10203-0	346-02032-OK	KIT 100 EA 346-02032-0 LOCKWASHER
322-03220-OK	KIT 100 EA 322-03220-0 COTTER PIN	346-10004-OK	KIT 100 EA 346-10004-0 LOCKWASHER
322-04324-OK	KIT 100 EA 322-04324-0	346-10010-OK	KIT 100 EA 346-10010-0 LOCKWASHER
323-82001-OK	KIT 30 EA 323-82001-0 PIN, DRIVE LOK	346-10020-OK	KIT 100 EA 346-10020-0 LOCKWASHER
323-82004-OK	KIT 10 EA 323-82004-0 DRIV-LOK PIN	346-10024-OK	KIT 50 EA 346-10024-0 LOCKWASHER
323-82010-OK	KIT 5 EA 323-82010-0 PIN, DRIVE LOK	346-10080-OK	KIT 50 EA 346-10080-0 LOCKWASHER
323-82014-OK	KIT 50 EA 323-82014-0 PIN, DRIVE LOK	346-13032-OK	KIT 50 EA 346-13032-0 LOCKWASHER
324-20810-OK	KIT 100 EA 324-20810-0	348-02006-OK	KIT 100 EA 348-02006-0 LOCKWASHER
324-21225-OK	KIT 10 EA 324-21225-0	348-10004-OK	KIT 100 EA 348-10004-0 LOCKWASHER
324-21608-OK	KIT 100 EA 324-21608-0	348-10016-OK	KIT 250 EA 348-10016-0
324-21610-OK	KIT 100 EA 324-21610-0	348-10040-OK	KIT 100 EA 348-10040-0 LOCKWASHER
Note: BOLD = 1 week lead time or 24 Hr Emergency. All other items on standard lead time			

Part Number Listing

348-15002-OK	KIT 100 EA 348-15002-0 LOCKWASHER	359-11140-OK	KIT 50 EA 359-11140-0
350-03018-OK	KIT 5 EA 350-03018-0 WASHER, THRUST	359-13160-OK	KIT 100 EA 359-13160-0
350-10005-OK	KIT 30 EA 350-10005-0 WASHER, W0618-0	359-15126-OK	KIT 20 EA 359-15126-0 SCREW, SHC
350-10049-OK	KIT 30 EA 350-10049-0 WASHER, THRUST	359-15220-OK	KIT 10 EA 359-15220-0
350-10053-OK	KIT 20 EA 350-10053-0 WASHER, THRUST	361-08284-8K	KIT 100 EA 361-08284-8 SHCS M6X60M
350-10065-OK	KIT 25 EA 350-10065-0	431-90104-OK	KIT 100 EA 431-90104-0
350-10081-OK	KIT 5 EA 350-10081-0	431-90400-OK	KIT 50 EA 431-90400-0 HEX SOC PLUG
350-10097-OK	KIT 5 EA 350-10097-0 WASHER, FLAT	431-90404-OK	KIT 100 EA 431-90404-0
350-10109-OK	KIT 100 EA 350-10109-0	431-90600-OK	KIT 50 EA 431-90600-0 HEX SOC PLUG
350-10122-OK	KIT 50 EA 350-10122-0 WASHER, FLAT	431-91200-OK	KIT 5 EA 431-91200-0 HEX SOC PLUG 3/
350-10135-OK	KIT 50 EA 350-10135-0	431-92500-OK	KIT 10 EA 431-92500-0 HEX SOC PLUG-F
350-10136-OK	KIT 100 EA 350-10136-0	433-90402-OK	KIT 10 EA 433-90402-0 BUSHING
353-25018-OK	KIT 50 EA 353-25018-0	433-91208-OK	KIT 10 EA 433-91208-0 HEX BSHG
353-25023-OK	KIT 100 EA 353-25023-0	447-00028-OK	KIT 10 EA 447-00028-0
353-25041-OK	KIT 25 EA 353-25041-0	449-00016-OK	KIT 100 EA 449-00016-0
353-25073-OK	KIT 100 EA 353-25073-0	473-15002-OK	KIT 5 EA 473-15002-0 ELBOW
353-25078-OK	KIT 250 EA 353-25078-0	482-55001-OK	KIT 10 EA 482-55001-0 CAP
353-25079-OK	KIT 50 EA 353-25079-0 SCREW	482-55004-OK	KIT 10 EA 482-55004-0 CAP
356-15885-OK	KIT 30 EA 356-15885-0 RING, SNAP	488-35001-OK	KIT 20 EA 488-35001-0
356-30244-OK	KIT 30 EA 356-30244-0 RING	488-35003-OK	KIT 10 EA 488-35003-0
356-65013-OK	KIT 10 EA 356-65013-0	488-35004-OK	KIT 5 EA 488-35004-0 PLUG 6 P5ON-SS
356-65053-OK	KIT 5 EA 356-65053-0 RING, EATON	488-35009-OK	KIT 5 EA 488-35009-0 PLUG 16 P5 N-S
356-65082-OK	KIT 20 EA 356-65082-0	488-35014-OK	KIT 10 EA 488-35014-0
356-65096-OK	KIT 5 EA 356-65096-0 RING	488-35030-OK	KIT 5 EA 488-35030-0 PLUG 14P5N-S PL
356-65128-OK	KIT 50 EA 356-65128-0 RING	488-35038-OK	KIT 10 EA 488-35038-0 PLUG 16HP5N-S
358-06060-OK	KIT 100 EA 358-06060-0 SCREW	488-35041-OK	KIT 20 EA 488-35041-0
358-06146-OK	KIT 20 EA 358-06146-0 SCREW, SHC	488-35062-OK	KIT 5 EA 488-35062-0 PLUG SAE 24
358-08164-OK	KIT 30 EA 358-08164-0 SCREW	492-15006-OK	KIT 10 EA 492-15006-0 CONNECTOR
358-10180-OK	KIT 100 EA 358-10180-0	492-15015-OK	KIT 5 EA 492-15015-0 CONNECTOR
358-10200-OK	KIT 100 EA 358-10200-0 SCREW	492-15018-OK	KIT 5 EA 492-15018-0 ELBOW
358-12120-OK	KIT 250 EA 358-12120-0	492-15027-OK	KIT 10 EA 492-15027-0 CONNECTOR
358-12122-OK	KIT 5 EA 358-12122-0 SCREW, SHC	492-15031-OK	KIT 5 EA 492-15031-0 REDUCER
358-12140-OK	KIT 100 EA 358-12140-0 SCREW	492-15035-OK	KIT 5 EA 492-15035-0 CONNECTOR
358-12200-OK	KIT 100 EA 358-12200-0	492-15045-OK	KIT 30 EA 492-15045-0 CONNECTOR
358-12306-OK	KIT 20 EA 358-12306-0 SCREW	492-15057-OK	KIT 10 EA 492-15057-0 NUT (8-BU-S)
358-14106-OK	KIT 100 EA 358-14106-0	492-15058-OK	KIT 10 EA 492-15058-0 SLEEVE
358-14200-OK	KIT 100 EA 358-14200-0 SCREW	492-15086-OK	KIT 10 EA 492-15086-0 CONNECTOR
358-14400-OK	KIT 10 EA 358-14400-0 SCREW, SHC	492-15171-OK	KIT 5 EA 492-15171-0 UNION (12WBU-S)
358-16260-OK	KIT 25 EA 358-16260-0	492-15173-OK	KIT 5 EA 492-15173-0 UNION (6WBU-S)
358-16280-OK	KIT 50 EA 358-16280-0 SCREW, SHC	498-00005-OK	KIT 5 EA 498-00005-0 ELBOW
358-18160-OK	KIT 100 EA 358-18160-0 SCREW, SHC	498-00007-OK	KIT 5 EA 498-00007-0 ELBOW
358-20280-OK	KIT 25 EA 358-20280-0	498-00015-OK	KIT 5 EA 498-00015-0 ELBOW
358-20340-OK	KIT 30 EA 358-20340-0 SCREW, SHC	498-00035-OK	KIT 5 EA 498-00035-0 FITTING
358-24340-OK	KIT 10 EA 358-24340-0 SCREW	517-00086-OK	KIT 2 EA 517-00086-0 COIL, 24 VDC
358-26240-OK	KIT 10 EA 358-26240-0	517-00087-OK	KIT 2 EA 517-00087-0 COIL, 12 VDC
358-26300-OK	KIT 10 EA 358-26300-0 SCREW	605-00917-8K	KIT 5 EA 605-00917-8 RING QUAD
359-09160-OK	KIT 50 EA 359-09160-0 SCREW, SHC	605-10001-OK	KIT 25 EA 605-10001-0 RING, DYNASEAL
359-09180-OK	KIT 100 EA 359-09180-0	605-10016-OK	KIT 5 EA 605-10016-0 O RING, #5-905
359-09240-OK	KIT 100 EA 359-09240-0	605-10026-OK	KIT 20 EA 605-10026-0 RING, QUAD

Note: **BOLD = 1 week lead time or 24 Hr Emergency. All other items on standard lead time**

Part Number Listing

605-10056-OK	KIT 100 EA 605-10056-0 O RING	671-00213-OK	KIT 30 EA 671-00213-0 O RING, 70 S-1
605-10058-OK	KIT 100 EA 605-10058-0 O RING	671-00223-OK	KIT 100 EA 671-00223-0
605-10058-5K	KIT 10 EA 605-10058-5 O-RING METRIC	671-00224-OK	KIT 100 EA 671-00224-0 O RING, 70
606-25027-OK	KIT 50 EA 606-25027-0 GROMMET	671-00225-OK	KIT 50 EA 671-00225-0 O RING, 70 S-1
606-25036-OK	KIT 25 EA 606-25036-0	671-00229-OK	KIT 100 EA 671-00229-0 O RING, 70
606-25040-OK	KIT 5 EA 606-25040-0	671-00237-OK	KIT 100 EA 671-00237-0
620-50291-OK	KIT 5 EA 620-50291-0 SEAL, SHAFT 1	671-00238-OK	KIT 100 EA 671-00238-0
620-82012-OK	KIT 5 EA 620-82012-0 SEAL LIP S1	671-00239-OK	KIT 10 EA 671-00239-0
620-82017-OK	KIT 10 EA 620-82017-0 SEAL, DYNA	671-00240-OK	KIT 30 EA 671-00240-0 O RING, 70 S-1
620-82043-OK	KIT 5 EA 620-82043-0 SEAL, SHAFT 1	671-00242-OK	KIT 50 EA 671-00242-0
620-82066-OK	KIT 5 EA 620-82066-0	671-00244-OK	KIT 100 EA 671-00244-0 O RING, 70
620-82091-OK	KIT 5 EA 620-82091-0 SEAL, SHAFT	671-00246-OK	KIT 50 EA 671-00246-0
620-82092-OK	KIT 5 EA 620-82092-0 SEAL, SHAFT NOK	671-00249-OK	KIT 50 EA 671-00249-0
620-82093-OK	KIT 5 EA 620-82093-0 SEAL, SHAFT NOK	671-00251-OK	KIT 50 EA 671-00251-0
623-00006-OK	KIT 5 EA 623-00006-0	671-00257-OK	KIT 50 EA 671-00257-0 O RING, 70 S-1
623-00016-OK	KIT 5 EA 623-00016-0	671-00267-OK	KIT 10 EA 671-00267-0 O RING, 70 S-1
628-06001-OK	KIT 25 EA 628-06001-0 LEAD SEAL	671-00339-OK	KIT 50 EA 671-00339-0 O RING, 70 S-1
631-45002-OK	KIT 100 EA 631-45002-0 WASHER, NYL	671-00453-OK	KIT 10 EA 671-00453-0 O RING, 70 S-1
631-45003-OK	KIT 100 EA 631-45003-0	671-00903-OK	KIT 100 EA 671-00903-0 O RING, 70
631-45007-OK	KIT 100 EA 631-45007-0	671-00904-OK	KIT 250 EA 671-00904-0
635-00002-OK	KIT 30 EA 635-00002-0 THREADSEAL 750	671-00906-OK	KIT 50 EA 671-00906-0 O-RING 70 S-1
635-00002-4K	KIT 5 EA 635-00002-4 THREADSEAL 7500	671-00910-OK	KIT 100 EA 671-00910-0 O RING, 70
635-00002-5K	KIT 5 EA 635-00002-5 THREADSEAL 7500	671-00912-OK	KIT 100 EA 671-00912-0
635-00006-OK	KIT 10 EA 635-00006-0 THREADSEAL 750	671-00916-OK	KIT 25 EA 671-00916-0 O RING, 70 S-1
635-00010-OK	KIT 10 EA 635-00010-0 THREADSEAL 750	674-00903-OK	KIT 10 EA 674-00903-0
636-62000-OK	KIT 10 EA 636-62000-0 STAT-O-SEAL	674-00906-OK	KIT 25 EA 674-00906-0
671-00007-OK	KIT 100 EA 671-00007-0 O RING, 70	674-00908-OK	KIT 25 EA 674-00908-0
671-00008-OK	KIT 100 EA 671-00008-0 O RING, 70	674-00910-OK	KIT 25 EA 674-00910-0
671-00013-OK	KIT 250 EA 671-00013-0	674-00916-OK	KIT 25 EA 674-00916-0
671-00014-OK	KIT 250 EA 671-00014-0	675-00012-OK	KIT 100 EA 675-00012-0
671-00017-OK	KIT 250 EA 671-00017-0	675-00129-OK	KIT 25 EA 675-00129-0
671-00026-OK	KIT 100 EA 671-00026-0 O RING, 70	675-00249-OK	KIT 10 EA 675-00249-0
671-00033-OK	KIT 50 EA 671-00033-0	675-00274-OK	KIT 5 EA 675-00274-0 O RING, 70 S-5
671-00043-OK	KIT 100 EA 671-00043-0	676-00014-OK	KIT 10 EA 676-00014-0 O RING, S-6 AR
671-00044-OK	KIT 100 EA 671-00044-0	676-00210-OK	KIT 30 EA 676-00210-0 O RING, S-6 AR
671-00048-OK	KIT 50 EA 671-00048-0	676-00236-OK	KIT 10 EA 676-00236-0 O RING, S-6 AR
671-00050-OK	KIT 50 EA 671-00050-0	676-00908-OK	KIT 25 EA 676-00908-0 O RING, S-6 AR
671-00111-OK	KIT 250 EA 671-00111-0	679-00005-OK	KIT 5 EA 679-00005-0 GLYD RING
671-00114-OK	KIT 10 EA 671-00114-0 O RING, 70 S-1	679-00018-OK	KIT 5 EA 679-00018-0 GLYD RING
671-00117-OK	KIT 100 EA 671-00117-0 O RING, 70	691-00008-OK	KIT 100 EA 691-00008-0
671-00120-OK	KIT 100 EA 671-00120-0 O RING, 70	691-00026-OK	KIT 100 EA 691-00026-0
671-00125-OK	KIT 50 EA 671-00125-0 O RING, 70 S-1	691-00113-OK	KIT 50 EA 691-00113-0 O RING, 90 S-1
671-00144-OK	KIT 100 EA 671-00144-0	691-00120-OK	KIT 250 EA 691-00120-0
671-00147-OK	KIT 100 EA 671-00147-0	691-00125-OK	KIT 100 EA 691-00125-0
671-00152-OK	KIT 50 EA 671-00152-0	691-00128-OK	KIT 100 EA 691-00128-0
671-00155-OK	KIT 50 EA 671-00155-0	691-00213-OK	KIT 50 EA 691-00213-0 O RING, 90 S-1
671-00159-OK	KIT 50 EA 671-00159-0	691-00221-OK	KIT 100 EA 691-00221-0 O RING, 90
671-00212-OK	KIT 50 EA 671-00212-0 O RING, 70 S-1	691-00227-OK	KIT 50 EA 691-00227-0 O RING, 90 S-1
Note: BOLD = 1 week lead time or 24 Hr Emergency. All other items on standard lead time			

Part Number Listing

691-00238-OK	KIT 25 EA 691-00238-0	S21-04526-5K	KIT OPERATING COVER ASSY
691-00902-OK	KIT 250 EA 691-00902-0	S21-05997-0K	KIT SEAL P_W ROTARY SERVO S1
691-00905-OK	KIT 250 EA 691-00905-0	S21-05998-0K	KIT SEAL P_W HYD.STROKER S1
691-00920-OK	KIT 50 EA 691-00920-0	S21-05999-0K	KIT SEAL P_W E.H.STROKER S1
691-00932-OK	KIT 50 EA 691-00932-0	S21-06000-0K	KIT SEAL C**T**L** **0**P** WC
691-10131-OK	KIT 10 EA 691-10131-0	S21-06000-4K	KIT SEAL C**T**L** **0**P**T WC
691-10214-OK	KIT 10 EA 691-10214-0	S21-11377-0K	KIT SHAFT, KEYED P6/P7W
691-10221-OK	KIT 25 EA 691-10221-0	S21-11378-0K	KIT SHAFT,SPLINED P6/P7W
691-10226-OK	KIT 20 EA 691-10226-0 TETRASEAL 90	S21-11415-0K	KIT SHAFT,KEYED P*W SAE B MTG
691-10228-OK	KIT 10 EA 691-10228-0	S21-11416-0K	KIT SHAFT SPL ASSY P6/P7W B MTG
695-00012-OK	KIT 20 EA 695-00012-0	S21-11447-0K	KIT SHFT KEY BB 2*** WC P6/P7/P8W
695-00013-OK	KIT 100 EA 695-00013-0	S21-11448-0K	KIT SHFT SPL BB 1*** WC P6/P7/P8W
695-00210-OK	KIT 40 EA 695-00210-0 O RING, 90 S-5	S21-11505-0K	KIT SHAFT & BEARING
695-10011-OK	KIT 20 EA 695-10011-0 TETRASEAL 70	S21-11544-0K	KIT SEAL,P_W BASIC
695-20238-OK	KIT 5 EA 695-20238-0 RING,SQ	S21-11544-4K	KIT SEAL,P_W BASIC
S13-40265-OK	KIT VANE SEAL CART	S21-11544-5K	KIT SEAL P W BASIC
S13-40266-OK	KIT 5 EA S13-40266-0 CHECK VALVE	S21-11557-0K	KIT SHAFT KEYED,C/D REAR DRIVE WC
S13-41805-OK	KIT SPLINE SHFT & BRG, 6,7,8	S21-11558-0K	KIT SPLINE SHAFT WC (C/D)
S13-41806-OK	KIT KEYED SHFT & BRG, 6,7,8	S21-11560-0K	KIT ROTARY SERVO CONTROL
S13-42064-OK	KIT OUTPUT CONTROL **2 VOL IND	S21-11608-0K	KIT ROTARY SERVO CONTROL
S13-42308-OK	KIT RETAINER PISTON & SHOE, 7.25	S21-11619-0K	KIT COMPENSATOR 'C' P*W
S13-42335-OK	KIT HOUSING AND BEARING 6/7	S21-11640-0K	KIT COMP CONT LOAD SENSING
S13-42402-OK	KIT 5 EA S13-42402-0 PRESS FD TB 6/7	S21-11648-0K	KIT BARREL & SLVS 8.0 W/C
S13-42403-OK	KIT 5 EA S13-42403-0 PRESS FD TB 6/7	S21-11650-0K	KIT RETAINER PISTON & SHOE, 8.0
S13-43240-OK	KIT 5 EA S13-43240-0 STRAINER	S21-11651-0K	KIT COMP CONT W/TORQ LIMITER
S13-43334-OK	KIT 5 EA S13-43334-0 GEROTOR	S21-12237-0K	KIT HANGER & DOWEL PINS
S13-43655-OK	KIT RETAINER PISTON & SHOE, 6.0	S21-12285-0K	KIT HYD. STROKER P*W - CCW S-1
S13-43657-OK	KIT 1 EACH S13-43657-0 BARREL 6.0	S21-12286-0K	KIT HYD. STROKER P*W - CW S-1
S13-43963-OK	KIT 5 EA S13-43963-0 CTR PORT PLATE	S21-12307-0K	KIT ELEC HYD CONT. P*W- CW S-1
S13-43965-OK	KIT 1 EACH S13-43965-0 BARREL 14	S21-12308-0K	KIT ELEC HYD CONT. P*W- CCW S-1
S13-43968-OK	KIT SPLINE SHFT & BRG	S21-12361-0K	KIT CAP,MAX VOL ADJ S-1 SEALS WC
S13-43969-OK	KIT KEY SHFT & BRG	S21-12449-0K	KIT SERVICE KIT, B MOD WC
S13-43970-OK	KIT RETAINER, PIST & SHOE 14	S21-17395-0K	KIT COMP CONT LOAD SNS P*W WC
S13-44302-OK	KIT SHAFT SEAL 6,7	S21-17702-0K	KIT ROT NO BARREL CW P6W
S13-44470-OK	KIT RETAINER, PISTON & SHOE 24	S21-17703-0K	KIT ROT NO BARREL CCW P6W
S13-45375-OK	KIT RETAINER, PISTON & SHOE, 6.0 LW	S21-17704-0K	KIT ROT NO BARREL CW P7W
S13-45381-OK	KIT 1 EACH S13-45381-0 BARREL 11	S21-17705-0K	KIT ROT NO BARREL CCW P7W
S13-45544-OK	KIT RETAINER, PISTON & SHOE 11	S21-17706-0K	KIT ROT NO BARREL CW P8W
S13-46762-OK	KIT 5 EA S13-46762-0 GEROT PLT CW	S21-17707-0K	KIT ROT NO BARREL CCW P8W
S13-46763-OK	KIT 5 EA S13-46763-0 GEROT PLT CCW	S21-17714-0K	KIT BARREL HOLDDOWN P*W
S13-47314-5K	KIT CW GEROTOR REPAIR, 6,7P/V/D	S22-12746-0K	KIT SHAFT KEYED NO REAR DR P16
S13-47315-5K	KIT CCW GEROTOR REPAIR, 6,7P/V/D	S22-12747-0K	KIT SHAFT,SPLINED NO REAR DR P16
S13-47511-OK	KIT 1 EA S13-47511-0 BARREL 7	S22-12824-0K	KIT SHAFT,KEYED W/NO REAR DR P260
S13-47816-OK	KIT DRIVE SHAFT & BRG ASSY	S22-12825-0K	KIT SHAFT SPLND NO REAR DR P260
S13-47873-OK	KIT RETAINER PISTON & SHOE, 7.25 LW	S22-12830-0K	KIT SEAL 2/3 SHAFT CONT P12/16
S13-48273-OK	KIT SHUTTLE VALVE,NO ORIFICES M	S22-12830-5K	KIT SEAL 2/3 SHAFT CONT P12/16
S13-48776-OK	KIT SHUTTLE VALVE ,.078 ORIFICES	S22-12831-0K	KIT SEAL 2367SHFT CONT P200/260
S21-03651-OK	KIT BARREL & SLVS.7.25 W/C	S22-12831-4K	KIT SEAL KIT (P260) W/CONTROLS
S21-03652-OK	KIT BARREL & SLVS 6.0 W/C	S22-12859-0K	KIT SHAFT KEYED REAR DRIVE 16

Note: **BOLD** = 1 week lead time or 24 Hr Emergency. All other items on standard lead time

Part Number Listing

S22-12861-0K	KIT SHAFT SPLINED RD 3*** 16	S22-15447-0K	KIT CAP BUCK-UP CAP SPG P05/80
S22-12862-0K	KIT SHAFT,SPLINED SAE D/E HT P16RD	S22-15467-0K	KIT MAX VOL STOP P05/80
S22-12864-0K	KIT SHAFT KEYED RD 2*** 260	S22-15528-0K	KIT CONTROL CAP E H R P16B
S22-12866-0K	KIT SHAFT SPLINED RD 3*** 260	S22-15529-0K	KIT CONTROL CAP E H R P260B
S22-12867-0K	KIT REAR DRIVE ADAPTOR KIT SAE B	S22-15536-0K	KIT LOAD SENSING SERVICE P16B
S22-12868-0K	KIT REAR DRIVE ADAPTOR KIT SAE BB	S22-15537-0K	KIT LOAD SENSING SERVICE P260B
S22-12869-0K	KIT REAR DRIVE ADAPTOR KIT SAE C	S22-15570-0K	KIT REAR DRV ADAPTOR KIT ISO 180
S22-12870-0K	KIT REAR DRIVE ADAPTOR KIT SAE D	S22-15598-0K	KIT SHAFT KEYED ISO P80
S22-12871-0K	KIT REAR DRIVE ADAPTOR KIT SAE E	S22-15599-0K	KIT SHFT SPL ISO P80
S22-12872-0K	KIT REAR DRIVE ADAPTOR KIT ISO 100	S22-15600-0K	KIT SHFT KEY ISO W/REAR DRV P80
S22-12873-0K	KIT REAR DRIVE ADAPTOR KIT ISO 125	S22-15601-0K	KIT SHAFT SPLINE ISO REAR DRV P80
S22-12874-0K	KIT REAR DRIVE ADAPTOR KIT ISO 160	S22-15602-0K	KIT SHFT SPL DIN P80
S22-12875-0K	KIT REAR DRIVE ADAPTOR KIT ISO 200	S22-15603-0K	KIT SHFT SPL DIN REAR DR P80
S22-12876-0K	KIT REAR DRIVE ADAPTOR KIT ISO 250	S22-15613-0K	KIT CAP SPRING **OP80
S22-12915-0K	KIT HANDWHEEL P16/P260	S22-15621-0K	KIT SHFT SPL 7*** DIN NO RR DRV 140
S22-12920-0K	KIT REAR DRIVE ADAPTOR KIT SAE C-C	S22-15622-0K	KIT SHFT SPL 7*** DIN REAR DRV 140
S22-12983-0K	KIT MAX VOL STOP P16	S22-15624-0K	KIT TORQUE LIMITER J1*P80 SERVICE
S22-15078-0K	KIT ROCKER CAM & PIN P09/140	S22-15625-0K	KIT COMP W/LOAD SNSING P80 SERV
S22-15084-0K	KIT SEAL KIT (P09) W/CONTROLS)	S22-15627-0K	KIT TORQUE LIMITER J2* P05 SERV
S22-15084-4K	KIT SEAL KIT (P09) W/CONTROLS)	S22-15628-0K	KIT LOAD SENSING L2* P05 SERVICE
S22-15084-5K	KIT SEAL KIT (P09 W/CONTROLS)	S22-15629-0K	KIT TORQUE LIMITER K1* P05 SERV
S22-15085-0K	KIT SEAL KIT (P140) W/CONTROLS	S22-15631-0K	KIT TORQUE LIMITER K1* P80 SERV
S22-15111-0K	KIT SHAFT KEYED 2*** NO REAR DRV 09	S22-15634-0K	KIT TORQUE LIMITER J2* P80 SERV
S22-15112-0K	KIT SHFT KEY 2*** REAR DRV 09	S22-15635-0K	KIT TORQUE LIMITER K2* P05 SERV
S22-15113-0K	KIT SHAFT SPLINED 3*** NRD 09	S22-15636-0K	KIT TORQUE LIMITER K2* P80 SERV
S22-15114-0K	KIT SHAFT SPLINED 3*** RD 09	S22-15637-0K	KIT COMP W/LOAD SEN HANDWH P80 SERV
S22-15115-0K	KIT SHFT KEY 2*** NO REAR DRV 140	S22-15646-0K	KIT SEAL P05/07 W/CONTROLS
S22-15116-0K	KIT SHFT KEY 2*** REAR DR 140	S22-15646-4K	KIT SEAL P05/07 W/CONTROLS
S22-15117-0K	KIT SHFT SPL 3*** NO REAR DRV 140	S22-15647-0K	KIT SEAL P080/110 W/CONTROLS
S22-15118-0K	KIT SHFT SPL 3*** REAR DRV 140	S22-15653-0K	KIT BUCK UP SNOUT CJK 16/260
S22-15119-0K	KIT PISTON,SHOE & RET. P09/140	S22-15672-0K	KIT BARREL PORT PLT CCW MOS2 16/260
S22-15266-0K	KIT ROCKER CAM & PIN 16 'B'	S22-15673-0K	KIT SHFT KEY DIN P80
S22-15271-0K	KIT PISTON,SHOE & RET 16/260B	S22-15674-0K	KIT SHFT KEY DIN W/REAR DRV P80
S22-15311-0K	KIT SERVICE - P16B COMP 'C1*'	S22-15680-0K	KIT SHFT KEY W/NO REAR DR 260
S22-15312-0K	KIT SERVICE - P260B COMP C1*	S22-15681-0K	KIT SHFT KEY DIN REAR DRIVE
S22-15313-0K	KIT TOR LIM J1* LOW SERVICE 16	S22-15682-0K	KIT SHFT SPL #7 NRD P260
S22-15314-0K	KIT SER/P260B J"(LOW)T/L'J1*''	S22-15683-0K	KIT SHFT SPL #7 DIN REAR DRIVE
S22-15315-0K	KIT SER/P16B K"(HIGH)T/LK1*''	S22-15685-0K	KIT SHFT KEY 6*** DIN NO RR DRV 140
S22-15316-0K	KIT SER-P260 B"(HIGH)T/L'K1*''	S22-15686-0K	KIT SHFT KEY 6*** DIN REAR DRV 140
S22-15325-0K	KIT CAP MAX VOL SCRW E/H/R*0 P05	S22-15732-0K	KIT CONTROL TL J1* P09 SERVICE
S22-15337-0K	KIT SHAFT KEYED NO REAR DR P05	S22-15733-0K	KIT CONTROL TL J1* P140 SERVICE
S22-15338-0K	KIT SHAFT,SPLINED NO REAR DR P05	S22-15740-0K	KIT ADAPTER RDR K40N 180 LP
S22-15339-0K	KIT SHFT KEY REAR DR 05	S22-15765-0K	KIT CONVERSION ROT SER R** P05
S22-15340-0K	KIT SHAFT,SPLINED REAR DRV LT PO5	S22-15790-0K	KIT TL LOAD SENSE + VOL SCR P16
S22-15342-0K	KIT PISTON/SHOE &RETAINER P05/80	S22-15802-0K	KIT TL/LD SEN &VOL SCR P260 SERV
S22-15372-0K	KIT REAR DRIVE ADAPTOR KIT SAE A	S22-15809-0K	KIT ADAPTER KIT REAR A/B CPLG P16
S22-15401-0K	KIT TORQUE LIMITER J1*P05 SERVICE	S22-15893-0K	KIT PISTON SHOE RET 16/260 C MOD
S22-15402-0K	KIT LOAD SENSING L1* P05 SERVICE	S22-15903-0K	KIT CAM & PIN 07/110

Note: **BOLD = 1 week lead time or 24 Hr Emergency. All other items on standard lead time**

Part Number Listing

S22-15933-0K	KIT ADAPTER RDR DIN40 180	S22-16203-0K	KIT ELEC STROKER E** P110 SERVICE
S22-15934-0K	KIT ADAPTER RDR DIN50 180	S22-16204-0K	KIT ELEC STROKER E** P07 SERVICE
S22-15961-0K	KIT BARREL AND PORT PLT CW 16/260X	S22-16205-0K	KIT COMP OVERRIDE *1P P07 SERVICE
S22-15962-0K	KIT BARREL AND PORT PLT CCW 16/260X	S22-16206-0K	KIT COMP OVERRIDE *1P P110 SERV
S22-16001-0K	KIT SERVICE ELECTRIC STROKER 16C	S22-16207-0K	KIT TL OVERRIDE *1J P07 SERVICE
S22-16002-0K	KIT SERVICE ELECTRIC STROKER 260C	S22-16208-0K	KIT TL OVERRIDE *1J P110 SERVICE
S22-16003-0K	KIT SERVICE HYDRAULIC STROKER 16C	S22-16209-0K	KIT TL OVERRIDE *1K P07 SERVICE
S22-16004-0K	KIT SERVICE HYDRAULIC STROKER 260C	S22-16210-0K	KIT TL OVERRIDE *1K P110 SERVICE
S22-16005-0K	KIT SERVICE ROTARY SERVO 16C	S22-16220-0K	KIT SEAL KIT 16 X CONTROLS
S22-16006-0K	KIT SERVICE ROTARY SERVO 260C	S22-16221-0K	KIT SEAL KIT 260 X CONTROL PQ
S22-16007-0K	KIT SERVICE COMP OVERRIDE EHR 16C	S22-16223-0K	KIT BARREL PORT PLT CW MOS2 12/200
S22-16008-0K	KIT SERVICE COMP OVERRIDE EHR 260C	S22-16386-0K	KIT BARREL PORT PLT CW MOS2 09/140
S22-16009-0K	KIT SERVICE TL OVERRIDE EHR J 16C	S22-16387-0K	KIT BARREL PORT PLT CCW MOS2 09/140
S22-16010-0K	KIT SERVICE TL OVERRIDE EHR J 260C	S22-16401-0K	KIT DIFF COMP SPOOL PREMIER
S22-16011-0K	KIT SERVICE TL OVERRIDE EHR K 16C	S22-16407-0K	KIT SHFT SPL SAE-F 5*** 16
S22-16012-0K	KIT SERVICE TL OVERRIDE EHR K 260C	S22-16440-0K	KIT COMP FIX DIFF SERV C1 05/07
S22-16025-0K	KIT SHAFT SPLINED REAR DRV RD SAE 07	S22-16444-0K	KIT COMP FIX DIFF SERV C1 P080/110
S22-16026-0K	KIT SHFT SPL REAR DRIVE RD ISO 110	S22-16445-0K	KIT COMP FIX DIFF SERV C2 P05/07
S22-16027-0K	KIT SHFT KEY REAR DRIVE RD SAE 07	S22-16446-0K	KIT COMP FIX DIFF SERV C2 P080
S22-16028-0K	KIT SHAFT KEYED REAR DRV RD ISO 110	S22-16453-0K	KIT DIFF SPRING LOAD SENSE PREMIER
S22-16029-0K	KIT SHFT KEY REAR DRIVE RD DIN 110	S22-16479-0K	KIT SEAL PQ CONTROL 09
S22-16030-0K	KIT SHFT SPL REAR DRIVE RD DIN 110	S22-16480-0K	KIT SEAL PQ CONTROL 140
S22-16039-0K	KIT PISTON SHOE & RETAINER 07/110	S22-16523-0K	KIT SHFT KEY SAE NO REAR DRIVE 12
S22-16100-0K	KIT BARREL PORT PLT CW MOS2 16/260	S22-16524-0K	KIT SHFT KEY SAE REAR DRIVE 12
S22-16123-0K	KIT BARREL MOS2 PLT CW P16/260Q	S22-16525-0K	KIT SHFT SPL SAE NO REAR DRIVE 12
S22-16125-0K	KIT BARREL MOS2 PLT CCW P16/260Q	S22-16526-0K	KIT SHFT SPL 3*** SAE RD
S22-16143-0K	KIT BARREL MOS2 PORT PLT CW 05	S22-16527-0K	KIT SHFT KEY ISO NO REAR DRIVE 200
S22-16144-0K	KIT BARREL MOS2 PORT PLT CCW 05	S22-16528-0K	KIT SHFT KEY ISO REAR DRIVE 200
S22-16145-0K	KIT BARREL MOS2 PORT PLT CW 07	S22-16529-0K	KIT SHFT SPL ISO NO REAR DRIVE 200
S22-16146-0K	KIT BARREL MOS2 PORT PLT CCW 07	S22-16530-0K	KIT SHFT SPL 3*** RD 200 ISO
S22-16147-0K	KIT BARREL MOS2 PORT PLT CW P09	S22-16531-0K	KIT SHFT KEY DIN50 NO REAR DRIVE 200
S22-16148-0K	KIT BARREL MOS2 PORT PLT CCW P09	S22-16532-0K	KIT SHFT KEY DIN50 REAR DRIVE 200
S22-16183-0K	KIT SERVICE TL OVERRIDE EHR J	S22-16533-0K	KIT SHFT SPL IN50 NO REAR DRIVE 200
S22-16184-0K	KIT SERVICE TL OVERRIDE EHR J 2	S22-16534-0K	KIT SHFT SPL DIN50 REAR DRIVE 200
S22-16186-0K	KIT TL LO LOAD SENSE V1 05 SERVICE	S22-16535-0K	KIT BARREL PORT PLT CCW MOS2 12/200
S22-16187-0K	KIT TL LO LOAD SEN VOL SCR W1 05 SER	S22-16536-0K	KIT PISTON SHOE RETAINER 12/200
S22-16188-0K	KIT TL LO LOAD SENSE V1 080 SERVICE	S22-16548-0K	KIT SHFT KEY DIN60 NO REAR DRIVE 200
S22-16189-0K	KIT TL HI LOAD SENSE W1* 080 SERVICE	S22-16549-0K	KIT SHFT KEY DIN60 REAR DRIVE 200
S22-16191-0K	KIT TL LOAD SENSE & VOL SCR P16	S22-16550-0K	KIT SHFT SPL DIN60 NO REAR DRV 200
S22-16192-0K	KIT TL/LD SEN & VOL SCR P260 SERV	S22-16551-0K	KIT SHFT SPL DIN60 REAR DRIVE 200
S22-16193-0K	KIT TL LOAD SEN VOL SCR V1 09 SERV	S22-16911-0K	KIT SERVICE RET RING 16/260
S22-16194-0K	KIT TL LOAD SEN VOL SCR V1 140 SERV	S22-17131-0K	KIT CONV ELECT STROKER E 05/07
S22-16195-0K	KIT TL LOAD SEN VOL HDW V2 05 SERV	S22-17132-0K	KIT CONV ELECT STROKER E 080/110
S22-16196-0K	KIT TL LOAD SEN VOL HDW V2 080 SERV	S22-17133-0K	KIT CONV HYD STROKER H 05/07
S22-16197-0K	KIT TL LOAD SEN VOL HDW W2 05 SERV	S22-17134-0K	KIT CONV HYD STROKER H 080/110
S22-16198-0K	KIT TL LOAD SEN VOL HDW W2 080 SERV	S22-17135-0K	KIT CONV ROTARY SVO R 05/07
S22-16199-0K	KIT ROTARY SERVO R** P110 SERVICE	S22-17136-0K	KIT CONV ROTARY SVO R 080/110
S22-16201-0K	KIT HYD STROKER H** P110 SERVICE	S22-17137-0K	KIT CONV ELECT STROKER E 09
S22-16202-0K	KIT HYD STROKER H** P07 SERVICE	S22-16200-0K	KIT ROTARY SERVO R** P07 SERVICE

Note: **BOLD = 1 week lead time or 24 Hr Emergency. All other items on standard lead time**

Part Number Listing

S22-17138-0K	KIT CONV ELECT STROKER E 140	S23-00133-0K	KIT SEAL 6/7 F/G-C,A W/WO SHUT
S22-17139-0K	KIT CONV HYD STROKER H 09	S23-00137-0K	KIT SEAL M6,7H/V
S22-17140-0K	KIT CONV HYD STROKER H 140	S23-00141-0K	KIT SEAL M11,14H
S22-17141-0K	KIT CONV ROTARY SVO R 09	S23-00143-0K	KIT SEAL M11,14G
S22-17142-0K	KIT CONV ROTARY SVO R 140	S23-00532-0K	KIT REV PRESS COMP
S22-17143-0K	KIT CONV ELECT STROKER E 12	S23-02345-0K	KIT SERVO,10,POT,B,2XP
S22-17144-0K	KIT CONV ELECT STROKER E 200	S23-03063-0K	KIT TUBE BRAKE & BYPASS
S22-17145-0K	KIT CONV HYD STROKER H 12	S23-03064-0K	KIT TUBE BRAKE & BYPASS
S22-17146-0K	KIT CONV HYD STROKER H 200	S23-03069-0K	KIT SEAL BRAKE & BYPASS
S22-17147-0K	KIT CONV ROTARY SVO R 12	S23-03070-0K	KIT SEAL BRAKE & BYPASS
S22-17148-0K	KIT CONV ROTARY SVO R 200	S23-03237-0K	KIT SEAL M6,7G D MOD
S22-17149-0K	KIT CONV ELECT STROKER E 16	S23-03260-0K	KIT SPLINE SHFT & BEARING, CV 6,7,8
S22-17150-0K	KIT CONV ELECT STROKER E 260	S23-03261-0K	KIT KEYED SHFT & BEARING, CV 6,7,8
S22-17151-0K	KIT CONV HYD STROKER H 16	S23-03262-0K	KIT P6D P7D BEARING SUBASSM
S22-17152-0K	KIT CONV HYD STROKER H 260	S23-03278-0K	KIT SERVO,10,RVDT,A,2XP
S22-17153-0K	KIT CONV ROTARY SVO R 16	S23-03382-0K	KIT STEM & SERVO PLATE
S22-17154-0K	KIT CONV ROTARY SVO R 260	S23-03383-0K	KIT STEM & BALANCE PLATE
S22-17340-0K	KIT SEAL 05-07 X**	S23-03781-0K	KIT SERVO STEM INPUT
S22-17341-0K	KIT SEAL 080 110 X**	S23-03782-0K	KIT STEM & BALANCE PLATE 11/14
S22-17503-0K	KIT PISTON SHOE SET O5 080	S23-03922-0K	KIT STEM & BALANCE PLATE
S22-17504-0K	KIT PISTON SHOE SET O7 110	S23-03948-0K	KIT CONTROL STEM
S22-17505-0K	KIT PISTON SHOE SET O9 140	S23-03949-0K	KIT SERVO STEM
S22-17506-0K	KIT PISTON SHOE SET 12 200	S23-03950-0K	KIT SERVO STEM
S22-17507-0K	KIT PISTON SHOE SET 16H 260H	S23-03951-0K	KIT SERVO STEM
S22-17508-0K	KIT PISTON SHOE SET 16Q 260Q	S23-04102-0K	KIT TUBING,VV 6/7 CCW A DTL
S22-17723-0K	KIT ROT BARREL BRG CW 05 080	S23-04111-0K	KIT TUBING,PP 6/7 CCW B DTL
S22-17724-0K	KIT ROT BARREL BRG CCW 05 080	S23-04112-0K	KIT TUBING,DTL,CW-A,2XP
S22-17725-0K	KIT ROT BARREL BRG CW 07 110	S23-04113-0K	KIT PP TUBING
S22-17726-0K	KIT ROT BARREL BRG CCW 07 110	S23-05641-0K	KIT TUBING P11P/P14P
S22-17727-0K	KIT ROT BARREL BRG CW 09 140	S23-05643-0K	KIT TUBING P11P/P14P
S22-17728-0K	KIT ROT BARREL BRG CCW 09 140	S23-05645-0K	KIT TUBING P11P/P14P
S22-17729-0K	KIT ROT BRL BRG CW 09 140 X	S23-05647-0K	KIT TUBING P11P/P14P
S22-17730-0K	KIT ROT BRL BRG CCW 09 140 X	S23-05688-0K	KIT TUBING
S22-17731-0K	KIT ROT BARREL BRG CW 12 200	S23-05689-0K	KIT TUBING
S22-17732-0K	KIT ROT BARREL BRG CCW 12 200	S23-05690-0K	KIT TUBING
S22-17733-0K	KIT ROT BRL BRG CW 16 260H	S23-05691-0K	KIT TUBING DTL CW-B
S22-17734-0K	KIT ROT BRL BRG CCW 16 260H	S23-05992-0K	KIT SHAFT SEAL 11,14
S22-17735-0K	KIT ROT BRL BRG CW 16 260Q	S23-05992-5K	KIT SEAL 11/14 (NEW)
S22-17736-0K	KIT ROT BRL BRG CCW 16 260Q	S23-05994-0K	KIT SEAL M24H/V B MOD
S22-17737-0K	KIT ROT BRL BRG CW 16 260Q X	S23-11514-0K	KIT SEAL COMPL P24,30P MECH
S22-17738-0K	KIT ROT BRL BRG CCW 16 260Q X	S23-11516-0K	KIT SHAFT SEAL 24 CIPR
S22-17739-0K	KIT BRL HOLDDOWN 05 07 080 110	S23-11523-0K	KIT TUBE & FITTING
S22-17740-0K	KIT BARREL HOLDDOWN 09 140	S23-11600-0K	KIT MECH SEAL COMPL P24,30S
S22-17741-0K	KIT BARREL HOLDDOWN 12 200	S23-11644-0K	KIT SPECIAL W/T6CC PUMP
S22-17742-0K	KIT BARREL HOLDDOWN 16 260	S23-11966-0K	KIT SHUTTLE, EXT DR, AUX REPL PORT
S22-17854-0K	KIT CONV PUMP SV0 COMP 05 110	S23-12007-0K	KIT SHUTTLE, INT DR, AUX REPL PORT
S22-17855-0K	KIT CONV PUMP SV0 COMP 09 140	S23-12044-0K	KIT SPL SHFT & BRG, TND 6,7,8 B/C
S22-17856-0K	KIT CONV PUMP SV0 COMP 12 200	S23-12091-0K	KIT 1 EA S23-12091-0 BARREL 24
S22-17857-0K	KIT CONV PUMP SV0 COMP 16 260	S23-12093-0K	KIT KEY SHFT & BNG, TND 6,7,8 B/C

Note: **BOLD = 1 week lead time or 24 Hr Emergency. All other items on standard lead time**

Part Number Listing

S23-12104-0K	KIT 1 EA S23-12104-0 ROCKER 6,7	S23-12668-5K	KIT ADAPTER RR MTG SAE-B 11/14S
S23-12105-0K	KIT 1 EA S23-12105-0 ROCKER 6,7	S23-12669-5K	KIT ADAPTER RR MTG SAE-B 6,7,8S
S23-12107-0K	KIT 1 EA S23-12107-0 ROCKER 11,14	S23-12672-0K	KIT COMP REV. PRESS.24/30
S23-12113-0K	KIT SHAFT SEAL 11,14	S23-12681-0K	KIT STEM SERVO INPUT .062 6/7
S23-12170-0K	KIT 1 EA S23-12170-0 BARREL 30	S23-12684-0K	KIT RETAINER PISTON & SHOES 30
S23-12181-5K	KIT ADAPTER RR MTG SAE-B 11/14P	S23-12718-0K	KIT 1 EA S23-12718-0 BARREL 8
S23-12182-5K	KIT ADAPTER RR MTG SAE-A 11/14P	S23-12734-0K	KIT EHS9A*-*00 75-350 CW/A CCW/B
S23-12183-5K	KIT ADAPTER RR MTG SAE-B 6,7,8P/D	S23-12742-0K	KIT 1 EA S23-12742-0 VLV BLK
S23-12184-5K	KIT ADAPTER RR MTG SAE-A 6,7,8P/D	S23-12760-0K	KIT HYD STR 8A*-*01 75-435 A/B
S23-12268-0K	KIT HYD STR,8A*-*00, 75-350 A/B	S23-12770-0K	KIT VALVE BLK 1PC 400 PSI PILOT
S23-12271-0K	KIT CONT RS 8A*-A0* 75-250 PSI MTR	S23-12771-0K	KIT 1 EA S23-12771-0 VLV BLK
S23-12276-0K	KIT SERVO STEM IN (.062) 11/14	S23-12776-0K	KIT 1 EA S23-12776-0 VLV BLK HI IQ
S23-12280-0K	KIT CONT. RS 2A SPRG MIN VOL	S23-12795-0K	KIT 1 EA S23-12795-0 VLV BLK P30S
S23-12298-0K	KIT D.T.LIMIT **4 CW-B CCW-A 1XP	S23-12796-0K	KIT 1 EA S23-12796-0 VLV BLK
S23-12299-0K	KIT D.T.LIMIT **4 A/B 2XP	S23-12820-0K	KIT HYD STR 8C*-*00 75-350 A/B
S23-12300-0K	KIT D.T.LIMIT **4 CW-A CCW-B 1XP	S23-12925-0K	KIT EH STR 9C* *00 75 250 A/B
S23-12324-0K	KIT CONT RS 4C A/B B&B 2XP	S23-12940-0K	KIT EH STR 9A*-*00 75-350 A/B24V
S23-12325-0K	KIT CONT OUTPUT **2 VOL IND	S23-12946-0K	KIT HYD STR 8A* *00 75 350 P6/7R
S23-12326-0K	KIT CONTROL CYL 2A 1XM B	S23-12957-0K	KIT EHS 9A* *01 75-350 A/B 12V
S23-12327-0K	KIT SCREW ADJ CCW-A / CW-B 1XP	S23-15050-0K	KIT EHS 9A A MTG MOTOR 24VOLT
S23-12328-0K	KIT SCREW ADJ CCW-B / CW-A 1XP	S23-15051-0K	KIT EHS 9A B MTG MOTOR 24VOLT
S23-12329-0K	KIT CONTROL CYL 2A* 1XM A	S23-15065-0K	KIT HYD STR 8A*-*04 75-250 A/B
S23-12338-0K	KIT CONTROL CYL 2A CCW-A CW-B 1XP	S23-15089-0K	SEAL KIT SHUTLE VALVE P6S P30S
S23-12340-0K	KIT CONTROL CYL 2A CW-A CW-B 1XP	S23-15102-0K	KIT CARTRIDGE SPACER 24 (00X)
S23-12343-0K	KIT CONT RS 4B A/B B&B 2XP	S23-15110-0K	KIT SERVO STEM
S23-12344-0K	KIT CONT RS SPG CTR 40* A/B 2XP	S23-15126-5K	KIT ADAPTER RR MTG SAE-C 24/30P/S
S23-12358-0K	KIT CYL 2H 3 POS SPG CTR 2XP A/B	S23-15128-0K	KIT,SEAL 24 CV "D"/ 30 CV A
S23-12378-0K	KIT CONT RS 8A*-B0* SPR OFFSET FULL	S23-15207-0K	KIT CONT CYL 2A SPRG MIN VOL A
S23-12413-0K	KIT EHS 5A*-*00 1/2XP/V,WDB,A/B	S23-15212-0K	KIT SPLINE SHAFT & BRG 11,14 8***
S23-12414-0K	KIT EHS 5C B&B 1/2XP/V WDB A/B	S23-15213-0K	KIT KEY SHAFT & BRG 11,14 7***
S23-12415-0K	KIT 5A*-*01 1/2P/V 0DB A&B LF	S23-15235-0K	KIT CONT 8A MTR B (OFFSET MIN.)
S23-12416-0K	KIT ELEC HYD STRK,(5A*),DB, METRIC	S23-15244-0K	KIT SEAL P11,14S CW B & C MOD
S23-12418-0K	KIT EHS 5A 1X 0DB B MOTOR	S23-15247-0K	KIT SEAL P11,14S CCW B & C MOD
S23-12419-0K	KIT EHS 5A* 1X 0DB A MOTOR	S23-15341-0K	KIT EH STR 8A* *03 150-400 P6/7R
S23-12420-0K	KIT EHS 5C B&B 1/2XP/V 0DB A/B	S23-15376-0K	KIT CHK W/RECL SYS. P11/14S
S23-12438-0K	KIT ADAPTER REAR MTG SAE A P6,7,8S	S23-15386-0K	KIT SHAFT & BRG SPLINE 24/30
S23-12439-0K	KIT,REAR ADAPT,A,11/14 /SH PAD	S23-15387-0K	KIT SHAFT & BRG KEYED 24/30 RECLA
S23-12461-0K	KIT SERVICE-RET. RING 6/7 BRL HD	S23-15426-0K	KIT RECL W/5 PSI CHK 24/30
S23-12468-0K	KIT SERVO STEM INPUT .062 6,7V	S23-15493-0K	KIT TUBING DTL CW-B P30
S23-12474-0K	KIT SPLINE SHAFT & BRG 30	S23-15545-0K	KIT TUBING P24 E CCW A
S23-12475-0K	KIT KEY SHAFT & BRG 30	S23-15546-0K	KIT TUBING P24 E CCW B
S23-12482-0K	KIT 1 EA S23-12482-0 ROCKER 30	S23-15547-0K	KIT TUBING P24 E CW A
S23-12526-0K	KIT CONT RS 8A0 B1* MTR 250-450.PSI	S23-15548-0K	KIT TUBING KIT DTL CW B P24 E
S23-12527-0K	KIT CONT RS 8A0 A1* MTR 250-450 PSI	S23-15549-0K	KIT TUBING P30 B CCW A
S23-12529-0K	KIT HYD STR 8A*-*03 150-400 A/B	S23-15550-0K	KIT TUBING P30 B CCW B
S23-12547-0K	KIT SERVICE-RET. RING 11,14	S23-15551-0K	KIT TUBING P30 B CCW B
S23-12629-0K	KIT SERVICE-RET. RING 24,30	S23-15658-0K	KIT TUBE 8C2/9C2 B P6/7
S23-12630-0K	KIT HYD STR 8A*-*02 100-380 A/B	S23-15659-0K	KIT TUBE 8C2/9C2 A P6/7
S23-12667-0K	KIT EHS 9A*-*00,75-350,A/B24V1/5	S23-15660-0K	KIT TUBE 8C2/9C2 B P11/14

Note: **BOLD = 1 week lead time or 24 Hr Emergency. All other items on standard lead time**

Part Number Listing

S23-16869-0K	KIT ROT CONV TO CCW P14V	S23-17049-0K	KIT SEAL P11,14S/L CW W/T67CB
S23-16870-0K	KIT ROT CONV TO CW P14V	S23-17066-0K	KIT SEAL (2) P30L 8R T6DCCRM TB
S23-16871-0K	KIT ROT CONV TO CCW P11R L	S23-17087-0K	KIT ROT GROUP CW P6P/D/R/S
S23-16872-0K	KIT ROT CONV TO CW P11 RL	S23-17088-0K	KIT ROT GROUP CCW P6P/D/R/S
S23-16873-0K	KIT ROT CONV TO CCW P14 RL	S23-17089-0K	KIT ROT GROUP CW P7P/D/R/S
S23-16874-0K	KIT ROT CONV TO CW P14 RL	S23-17090-0K	KIT ROT GROUP CCW P7P/D/R/S
S23-16875-0K	KIT ROT CONV TO CCW P24P SRL	S23-17091-0K	KIT ROT GROUP CW P8P/R/S
S23-16876-0K	KIT ROT CONV TO CW P24P SRL	S23-17092-0K	KIT ROT GROUP CCW P8P/R/S
S23-16877-0K	KIT ROT CONV TO CCW P30P SRL	S23-17093-0K	KIT ROT GROUP CW P6V
S23-16878-0K	KIT ROT CONV TO CW P30P SRL	S23-17094-0K	KIT ROT GROUP CCW P6V
S23-16879-5K	KIT REAR ADAPTER SAE A 6,7,8,11,14	S23-17095-0K	KIT ROT GROUP CW P7V
S23-16880-5K	KIT REAR ADAPTER SAE B 6,7,8,11,14	S23-17096-0K	KIT ROT GROUP CCW P7V
S23-16881-5K	KIT REAR ADAPTER SAE A 6,7	S23-17097-0K	KIT ROT GROUP CW P8V
S23-16882-5K	KIT REAR ADAPTER SAE B 6-14 W/SHUT	S23-17098-0K	KIT ROT GROUP CCW P8V
S23-16883-0K	KIT ELECT CYL 2M* *00 CW B/CCWA	S23-17099-0K	KIT ROT GROUP M6F G H V
S23-16884-5K	KIT REAR ADAPTER SAE B 6,7,8	S23-17100-0K	KIT ROT GROUP M7F G H V
S23-16885-5K	KIT REAR ADAPTER SAE C 6,7,8	S23-17101-0K	KIT ROT GROUP CW P11P R S
S23-16886-5K	KIT REAR ADAPTER KIT SAE E P11/14R	S23-17102-0K	KIT ROT GROUP CCW P11P R S
S23-16887-5K	KIT COVER W/SAE B AUX MTG PAD	S23-17103-0K	KIT ROT GROUP CW P14P R S
S23-16888-5K	KIT COVER RR SAE C 2/4 BOLT MTG	S23-17104-0K	KIT ROT GROUP CCW P14P R S
S23-16944-0K	KIT SHFT KEY LIP SEALS P6/7R	S23-17105-0K	KIT ROT GROUP CW P11V
S23-17000-0K	KIT SEAL CONTROLS IN/OUTPUT P6-30	S23-17106-0K	KIT ROT GROUP CCW P11V
S23-17001-0K	KIT SHAFT SEAL 7 & 8 P6,7,8	S23-17107-0K	KIT ROT GROUP CW P14V
S23-17013-0K	KIT SHAFT SEAL 6/7 D MOD SHAFT 1,2,3,6	S23-17108-0K	KIT ROT GROUP CCW P14V
S23-17014-0K	KIT SHAFT SEAL 6/7 D MOD SHAFT 4,5	S23-17109-0K	KIT ROT GROUP M11F G H V
S23-17026-0K	KIT SEAL COMPL SAE C P6,7,8P MECH	S23-17110-0K	KIT ROT GROUP M14F G H V
S23-17027-0K	KIT SEAL COMPL SAE D P6,7,8P MECH	S23-17111-0K	KIT ROT GROUP CW P24F P R S
S23-17028-0K	KIT SEAL COMPL SAE C P6,7,8P LIP	S23-17112-0K	KIT ROT GROUP CCW P24F P R S
S23-17029-0K	KIT SEAL COMPL SAE C P6,7,8S MECH	S23-17113-0K	KIT ROT GROUP CW P30F P R S
S23-17030-0K	KIT SEAL COMPL SAE C P6,7,8S MECH	S23-17114-0K	KIT ROT GROUP CCW P30F P R S
S23-17031-0K	KIT SEAL COMPL SAE C P6,7,8S LIP	S23-17115-0K	KIT ROT GROUP M24F G H V
S23-17032-0K	KIT SEAL COMPL P11,14P MECH	S23-17116-0K	KIT ROT GROUP M30F G H V
S23-17033-0K	KIT SEAL COMPL CW P11,14P LIP	S23-17117-0K	KIT ROT GROUP CW P6F
S23-17034-0K	KIT SEAL COMPL CCW P11,14P LIP	S23-17118-0K	KIT ROT GROUP CCW P6F
S23-17035-0K	KIT SEAL COMPL P11,14S MECH	S23-17119-0K	KIT ROT GROUP CW P7F
S23-17036-0K	KIT SEAL C MPL P11,14S MECH	S23-17120-0K	KIT ROT GROUP CCW P7F
S23-17037-0K	KIT SEAL COMPL CCW P11,14S LIP	S23-17231-0K	KIT CAM/CRADLE CONV CW-CCW 6,7,8
S23-17038-0K	KIT SEAL COMPL CW P24,30P LIP	S23-17232-0K	KIT CAM CRADLE CONV CW CCW 11 14
S23-17039-0K	KIT SEAL COMPL CCW P24,30P LIP	S23-17233-0K	KIT CAM CRADLE CONV CW CCW 24 30
S23-17040-0K	KIT SEAL COMPL P24 ,30S MECH	S23-17234-5K	KIT CAM STROKING CW P6,7,8P/S
S23-17041-0K	KIT SEAL COMPL CW P24,30S LIP	S23-17235-5K	KIT CAM STROKING CCW P6 7 8P S
S23-17042-0K	KIT SEAL COMPL CCW P24,30S LIP	S23-17236-5K	KIT CAM STROKING CW P6,7,8D/V
S23-17043-5K	KIT CW GEROTOR REPAIR 11/14S	S23-17237-5K	KIT CAM STROKING CCW P6 7 8D V
S23-17044-5K	KIT CCW GEROTOR REPAIR 11/14/S	S23-17238-5K	KIT CAM STROKING CW P6,7,8R
S23-17045-5K	KIT CW GEROTOR REPAIR 6,7,8S	S23-17239-5K	KIT CAM STROKING CCW P6 7 8R
S23-17046-5K	KIT CCW GEROTOR REPAIR 6,7,8S	S23-17240-5K	KIT CAM STROKING CW P11 14P RSV
S23-17047-5K	KIT CW GEROTOR REPAIR 11/14V	S23-17241-5K	KIT CAM STROKING CCW P11 14PRS V
S23-17048-5K	KIT CCW GEROTOR REPAIR 11/14V	S23-17242-5K	KIT CAM STROKING CW P24 30 PRS
Note: BOLD = 1 week lead time or 24 Hr Emergency. All other items on standard lead time			

Part Number Listing

S23-17243-5K	KIT CAM STROKING CCW P24 30PRS	S23-17436-0K	KIT ROT NO BARREL CCW P6F
S23-17246-0K	KIT SHAFT BBL HLDW NRD P6,7,8	S23-17437-0K	KIT ROT NO BARREL CW P7F
S23-17247-0K	KIT SHAFT BBL HLDW RD P6,7,8	S23-17438-0K	KIT ROT NO BARREL CCW P7F
S23-17248-0K	KIT AUX SHAFT BBL HLDW M6,7,8H/V	S23-17444-0K	KIT COUPLING IMP AUX SAE-B P24
S23-17249-0K	KIT SHAFT BBL HLDW P M6,7,8F/G	S23-17445-0K	KIT COUPLING IMP AUX SAE-B P30
S23-17250-0K	KIT SHAFT BBL HLDW NRD 11 14	S23-17446-0K	KIT COUPLING IMP AUX SAE-C P24
S23-17251-0K	KIT SHAFT BBL HLDW RD 11 14	S23-17447-0K	KIT COUPLING IMP AUX SAE-C P30
S23-17252-0K	KIT SHAFT BBL HLDW M11 14	S23-17448-0K	KIT COUPLING IMP AUX SAE-B-B P24
S23-17253-0K	KIT SHAFT BBL HLDW NRD P24	S23-17449-0K	KIT COUPLING IMP AUX SAE B B P30
S23-17254-0K	KIT SHAFT BBL HLDW NRD P30	S23-17450-0K	KIT COUPLING IMP AUX SAE-D P24
S23-17255-0K	KIT SHAFT BBL HLDW RD P M24	S23-17451-0K	KIT COUPLING IMP AUX SAE-D P30
S23-17256-0K	KIT SHAFT BBL HLDW RD P30	S23-17462-0K	KIT PISTON SHOE SET P6 M6
S23-17257-0K	KIT SHAFT BBL HLDW RD M30	S23-17463-0K	KIT PISTON SHOE SET P6V P6W
S23-17313-0K	KIT CAMCRADLE CONV CCW CW 6 8	S23-17464-0K	KIT PISTON SHOE SET P7 M7
S23-17314-0K	KIT CAMCRADLE CONV CCW CW 11 14	S23-17465-0K	KIT PISTON SHOE SET P7V P7W
S23-17315-0K	KIT CAMCRADLE CONV CCW CW 11 14	S23-17466-0K	KIT PISTON SHOE SET P8
S23-17338-0K	KIT VALVE BLK W/FILTER GOLDCUP	S23-17467-0K	KIT PISTON SHOE SET P11 M11
S23-17405-0K	KIT ROT NO BARREL CW P6P DRS	S23-17468-0K	KIT PISTON SHOE SET P14 M14
S23-17406-0K	KIT ROT NO BARREL CCW P6P DRS	S23-17469-0K	KIT PISTON SHOE SET P24FPRSL M24
S23-17407-0K	KIT ROT NO BARREL CW P7P DRS	S23-17470-0K	KIT PISTON SHOE SET P30FPRSL M30
S23-17408-0K	KIT ROT NO BARREL CCW P76P DRS	S23-17486-0K	KIT SHAFT KEY LG BRG 6 8P S 9***
S23-17409-0K	KIT ROT NO BARREL CW P8P RS	S23-17487-0K	KIT SHAFT KEY LG BRG 6 8P S 10***
S23-17410-0K	KIT ROT NO BARREL CCW P86P RS	S23-17488-0K	KIT SHAFT KEY LG BRG 11 14 S 9***
S23-17411-0K	KIT ROT NO BARREL CW P6V	S23-17489-0K	KIT SHAFT KEY LG BRG 11 14 S 10***
S23-17412-0K	KIT ROT NO BARREL CCW P6V	S23-17490-0K	KIT SHAFT KEY LG BRG 24 30P S 9***
S23-17413-0K	KIT ROT NO BARREL CW P7V	S23-17491-0K	KIT SHAFT KEY LG BRG 24 30P S 10***
S23-17414-0K	KIT ROT NO BARREL CCW P7V	S23-17492-0K	KIT SHAFT KEY LG BRG 6 8R L 9***
S23-17415-0K	KIT ROT NO BARREL CW P8V	S23-17493-0K	KIT SHAFT KEY LG BRG 6 8R L 10***
S23-17416-0K	KIT ROT NO BARREL CCW P8V	S23-17495-0K	KIT SHAFT KEY LG BRG 11 14R L 10***
S23-17417-0K	KIT ROT NO BARREL M6F GHV	S23-17496-0K	KIT SHAFT KEY LG BRG 24 30R L 9***
S23-17418-0K	KIT ROT NO BARREL M7F GHV	S23-17497-0K	KIT SHAFT KEY LG BRG 24 30R L 10***
S23-17419-0K	KIT ROT NO BARREL CW P11F RS	S23-17543-0K	KIT SHAFT SPLINE LIP SEALS P6 7R
S23-17420-0K	KIT ROT NO BARREL CCW P11F RS	S23-17544-0K	KIT CONTROL 2A 1XM B FIXED DISPL
S23-17421-0K	KIT ROT NO BARREL CW P14F PRS	S23-17563-0K	KIT VALVE BLOCK REPAIR P V & D
S23-17422-0K	KIT ROT NO BARREL CCW P14F PR	S23-17631-0K	KIT 4 EA S13-44469-0 FD TB P24
S23-17423-0K	KIT ROT NO BARREL CW P11V	S23-17632-0K	KIT 4 EA S13-12172-0 FD TB 30
S23-17424-0K	KIT ROT NO BARREL CCW P11V	S23-17633-0K	KIT 5 EA S13-43966-0 L/H FD TB 11/14
S23-17425-0K	KIT ROT NO BARREL CW P14V	S23-17634-0K	KIT 5 EA S13-43697-0 R/H FD TB 11/14
S23-17426-0K	KIT ROT NO BARREL CCW P14V	S23-17743-0K	KIT SEAL COMPLETE M6/7H/V SHAFT 1,2,3,6
S23-17427-0K	KIT ROT NO BARREL M11F GHV	S23-17744-0K	KIT COMPL SEAL M6 7H V SHAFT 4,5
S23-17428-0K	KIT ROT NO BARREL M14F GHV	S23-17745-0K	KIT COMPL SEAL M6 7H V SHAFT 7,8
S23-17429-0K	KIT ROT NO BARREL CW P24F PRS	S23-17746-0K	KIT SEAL COMPLETE M11/14H/V SHAFT 1,2,3,6
S23-17430-0K	KIT ROT NO BARREL CCW P24F PR	S23-17747-0K	KIT SEAL COMPLETE M24/30H/V SHAFT 2,3
S23-17431-0K	KIT ROT NO BARREL CW P30F PRS	S23-17753-0K	KIT SEAL COMPLETE M6/7H/V SHAFT 7,8
S23-17432-0K	KIT ROT NO BARREL CCW P30F PR	S29-05240-0K	KIT SHAFT KEYED PV6
S23-17433-0K	KIT ROT NO BARREL M24F GHV	S29-05241-0K	KIT SHAFT, SPLINE PV6
S23-17434-0K	KIT ROT NO BARREL M30F GHV	S29-05242-0K	KIT SHAFT, KEYED PV10
S23-17435-0K	KIT ROT GROUP CW P6F	S29-05243-0K	KIT SHAFT, SPLINED PV10

Note: **BOLD** = 1 week lead time or 24 Hr Emergency. All other items on standard lead time

Part Number Listing

S29-05244-0K	KIT SHAFT KEYED PV15	S29-15454-0K	KIT SEAL PV6 S1
S29-05245-0K	KIT SHAFT, SPLINED PV15	S29-15454-4K	KIT SEAL PV6 S4
S29-05246-0K	KIT SHAFT, KEYED PV20	S29-15454-5K	KIT SEAL PV6 S5
S29-05247-0K	KIT SHAFT, SPLINED PV20	S29-15455-0K	KIT SEAL PV10 S1
S29-05248-0K	KIT SHAFT, KEYED PV29	S29-15455-4K	KIT SEAL PV10 S4
S29-05249-0K	KIT SHAFT, SPLINED PV29	S29-15456-0K	KIT SEAL PV15 S1
S29-10708-0K	KIT ROTATING GROUP PV15 CW	S29-15456-4K	KIT SEAL PV15 S4
S29-12120-0K	KIT F"COMP(UNF)SER.REPL.PV"	S29-15456-5K	KIT SEAL PV15 S5
S29-12120-5K	KIT F"COMP(UNF)SER.REPL.PV"	S29-15457-0K	KIT SEAL PV20 S1
S29-12121-0K	KIT F"COMP(BSP)SER.REPL.PV"	S29-15457-5K	KIT SEAL PV20 S5
S29-12122-0K	KIT L"COMP(UNF)SER.REPL.PV"	S29-15458-0K	KIT SEAL PV29 S1
S29-12123-0K	KIT L"COMP(BSP)SER.REPL.PV"	S29-15458-5K	KIT SEAL PV29 S5
S29-12364-0K	KIT SERVICE TL PV 6-UNF	S29-15523-0K	KIT TORQUE LIMITER HIGH K PV20
S29-12365-0K	KIT SERVICE T.L. PV10-UNF	S29-15525-0K	KIT TORQUE LIMITER HIGH K PV10
S29-12366-0K	KIT SERVICE T.L. PV15-UNF	S29-15526-0K	KIT TORQUE LIMITER HIGH K PV6
S29-12367-0K	KIT SERVICE T.L. PV20-UNF	S29-15567-0K	KIT SHAFT SPLINED 1--- PVT15 SAE-B
S29-12368-0K	KIT SERVICE T.L. PV29-UNF	S29-15568-0K	KIT SHAFT KEYED 2--- PVT15 SAE-B
S29-12369-0K	KIT SERVICE T.L. PV 6-BSP	S29-15579-0K	KIT TORQUE LIMITER LOW J PV20/29
S29-12370-0K	KIT SERVICE T.L. PV10-BSP	S29-15581-0K	KIT TORQUE LIMITER LOW J PV6/10
S29-12371-0K	KIT SERVICE T.L. PV15-BSP	S29-16455-0K	KIT HANGER PVT 29
S29-12372-0K	KIT SERVICE T.L. PV20-BSP	S29-16590-0K	KIT HANGER BRONZE BUSHINGS PV20
S29-12373-0K	KIT SERVICE T.L. PV29-BSP	S29-16686-0K	KIT TORQUE LIMITER 29K 15J
S29-12833-0K	KIT ROTATING GROUP CW PV6 -C	S29-16687-0K	KIT TORQUE LIMITER 20K 15K
S29-12834-0K	KIT ROTATING GROUP CCW PV6 -C	S29-17498-0K	KIT PISTON SHOE SET PV6 PVT6
S29-12835-0K	KIT ROTATING GROUP CW PV10-C	S29-17499-0K	KIT PISTON SHOE SET PV10 PVT10
S29-12836-0K	KIT ROTATING GROUP CCW PV10-C	S29-17500-0K	KIT PISTON SHOE SET PV15 PVT15
S29-12837-0K	KIT ROTATING GROUP CW PV15-C	S29-17501-0K	PISTON SHOE SET PV20 PVT20
S29-12838-0K	KIT ROTATING GROUP CCW PV15-C	S29-17502-0K	KIT PISTON SHOE SET PV29 PVT29
S29-12839-0K	KIT ROTATING GROUP CW PV20-C	S29-17614-0K	KIT PISTON SHOE GUIDE PLT PV6
S29-12840-0K	KIT ROTATING GROUP CCW PV20-C	S29-17615-0K	KIT PISTON SHOE GUIDE PLT PV10
S29-12841-0K	KIT ROTATING GROUP CW PV29-C	S29-17616-0K	KIT PISTON SHOE GUIDE PLT PV15
S29-12842-0K	KIT ROTATING GROUP CCW PV29-C	S29-17617-0K	KIT PISTON SHOE GUIDE PLT PV20
S29-15104-0K	KIT C"COMP.,SERVICEREPL.,PV"	S29-17618-0K	KIT PISTON SHOE GUIDE PLT PV29
S29-15104-5K	KIT C"COMP.-SERVICEREPL.,PV"	S29-17672-0K	KIT ROT CONV UNF CW-UNF CCW PV6
S29-15414-0K	KIT SHAFT SPLINED 1*** PVT6 SAE B	S29-17673-0K	KIT ROT CONV UNF CCW-UNF CW PV6
S29-15415-0K	KIT SHAFT SPLINED 1*** PVT10 SAE B	S29-17674-0K	KIT ROT CONV BSPP CW-UNF CCW PV6
S29-15416-0K	KIT SHFT SPL 4*** TANDEM PV15	S29-17675-0K	KIT ROT CONV BSPP CCW-UNF CW PV6
S29-15417-0K	KIT SHAFT SPLINED 1*** PVT20	S29-17676-0K	KIT ROT CONV UNF CW-UNF CCW PVT6
S29-15418-0K	KIT SHAFT SPLINED 1*** PVT29	S29-17677-0K	KIT ROT CONV UNF CCW-UNF CW PVT6
S29-15419-0K	KIT SHAFT KEYED 2*** PVT6	S29-17678-0K	KIT ROT CONV UNF CW-UNF CCW PV10
S29-15420-0K	KIT SHAFT KEYED 2*** PVT10 SAE B	S29-17679-0K	KIT ROT CONV UNF CCW-UNF CW PV10
S29-15421-0K	KIT SHFT KEY 5*** TNDM PVT15 SAE B-B	S29-17680-0K	KIT ROT CONV BSPP CW-UNF CCW PV10
S29-15422-0K	KIT SHAFT KEYED 2*** PVT20	S29-17681-0K	KIT ROT CONV BSPP CCW-UNF CW PV10
S29-15423-0K	KIT SHAFT KEYED 2*** PVT29	S29-17682-0K	KIT ROT CONV UNF CW-UNF CCW PVT10
S29-15430-0K	KIT MTG PAD KIT REAR A PVT10/29	S29-17683-0K	KIT ROT CONV UNF CCW-UNF CW PVT10
S29-15431-0K	KIT MOUNTING PAD REAR SAE-B PVT	S29-17684-0K	KIT ROT CNV UNF CW-UNF CCW PV15
S29-15432-0K	KIT MTNG PAD KIT SAE-C REAR PVT20/29	S29-17685-0K	KIT ROT CONV UNF CCW-UNF CW PV15
S29-15433-0K	KIT MOUNTING PAD KIT REAR A PVT6	S29-17686-0K	KIT ROT CONV BSPP CW-UNF CCW PV15

Note: **BOLD = 1 week lead time or 24 Hr Emergency. All other items on standard lead time**



金聖泰實業股份有限公司
KINGSTONE COMPONENT INC.

SALES AND SERVICE
LOCATIONS WORLDWIDE

- Pumps & Motors ● Hydraulic Valves ● Hydraulic Seals ● Electrohydraulic Valves ● DIN Cartridge Valves
- Threaded Cartridge Valves ● Filtration/Fluid Analysis ● Accumulators ● Cylinders ● Power Units
- Compact Hydraulics ● Tube Fittings ● Rotary Actuators ● System Integrators



- 柱塞泵 ● 叶片泵 ● 齿轮泵 ● 柱塞马达 ● 摆线马达 ● 液压密封件 ● 电磁阀 ● 比例阀 ● 伺服阀 ● 插式阀
- 过滤器 ● 蓄能器 ● 液压缸 ● 伺服缸 ● 动力单元 ● 成套设备 ● 液压管件 ● 液压接头 ● 机电整合系统..

YOUR LOCAL REPRESENTATIVE 当地销售及代理

FOR INFORMATION ABOUT SALES AND SERVICE LOCATIONS PLEASE CONTACT 产品及服务联系信息
<http://www.kstci.com.tw/> service@kstci.com.tw <http://www.intrahydraulics.com/> sales@intrahydraulics.com



KINGSTONE COMPONENT INC.

TAIPEI :TEL:+886 2 8732-8566 FAX:+886 2 8732-8577
1F, No.61, Chongde St., Xinyi District, Taipei 110, Taiwan, R.O.C.
TAICHUNG :TEL:+886 4 2317-9303 FAX:+886 4 2317-9307
1F, No.78, Luoyang Rd., Xitun District, Taichung 407, Taiwan, R.O.C.
TAINAN :TEL:+886 6 247-8566 FAX:+886 6 247-6969
1F, No.278, Gongming S. 3rd Rd., Annan District, Tainan 709, Taiwan, R.O.C.
<http://www.kstci.com.tw/> E-mail: service@kstci.com.tw